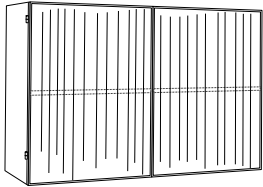
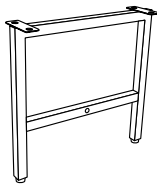

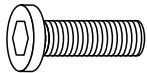
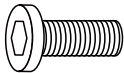
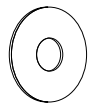

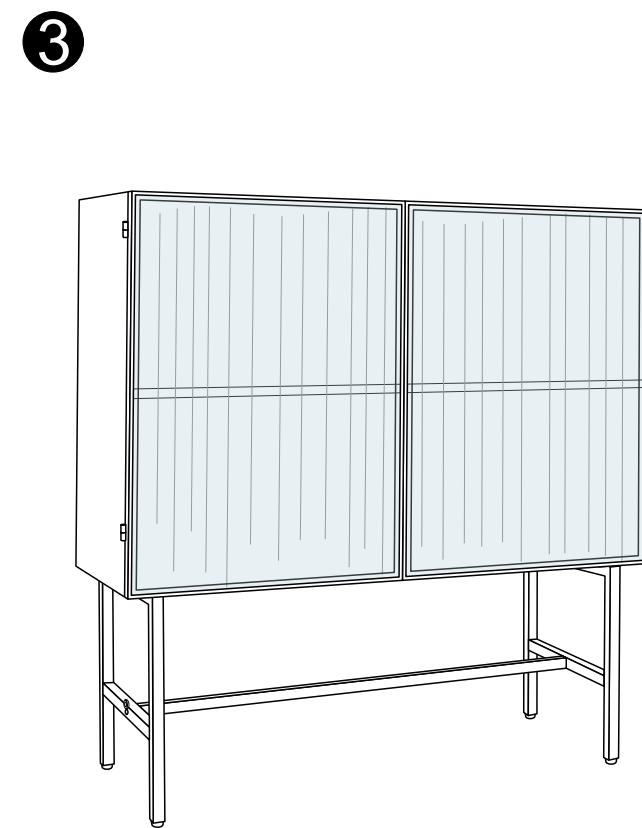
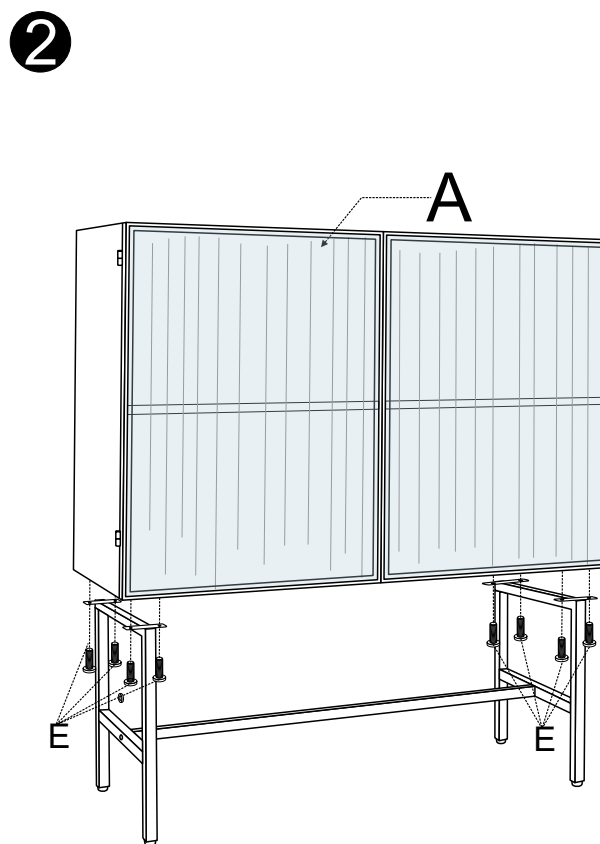
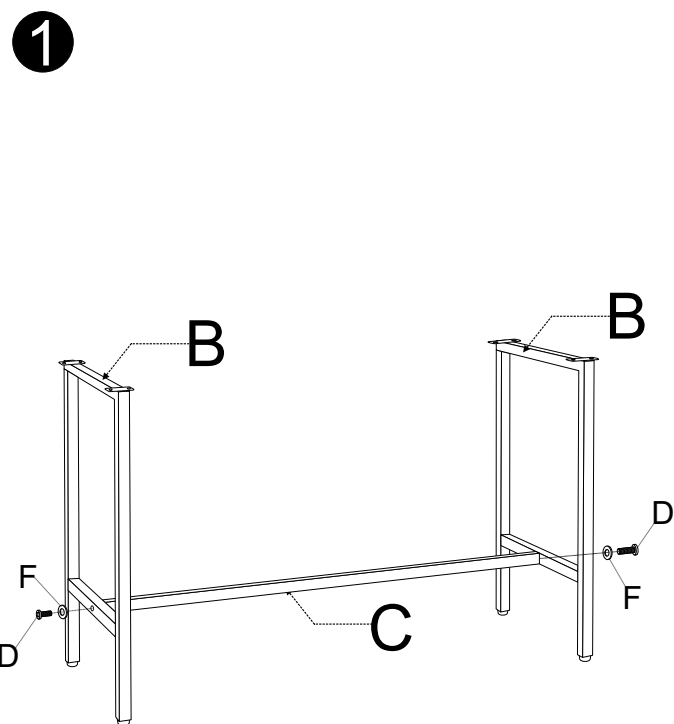


87874 Dresser San Diego 100x90cm

KARE
DESIGN

| | | | | | | |
|---|---|---|---|---|--|---|
| <p>A</p>  <p>X1PC</p> | <p>B</p>  <p>X2PC</p> | <p>C</p>  <p>X1PC</p> | <p>D</p>  <p>8x30MM X2PCS</p> | <p>E</p>  <p>8x10MM X8PCS</p> | <p>F</p>  <p>X2PCS</p> | <p>G</p>  <p>X1PC</p> |
|---|---|---|---|---|--|---|



87874 Dresser San Diego 100x90cm



Anti tilt system

Anti tilt system

| | | | |
|-----|-----|-----|-----|
| a | b | d | e |
| | | | |
| 1PC | 2PC | 2PC | 2PC |

