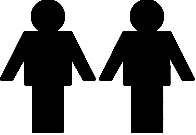


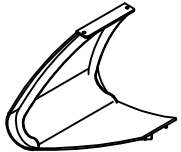
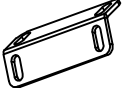





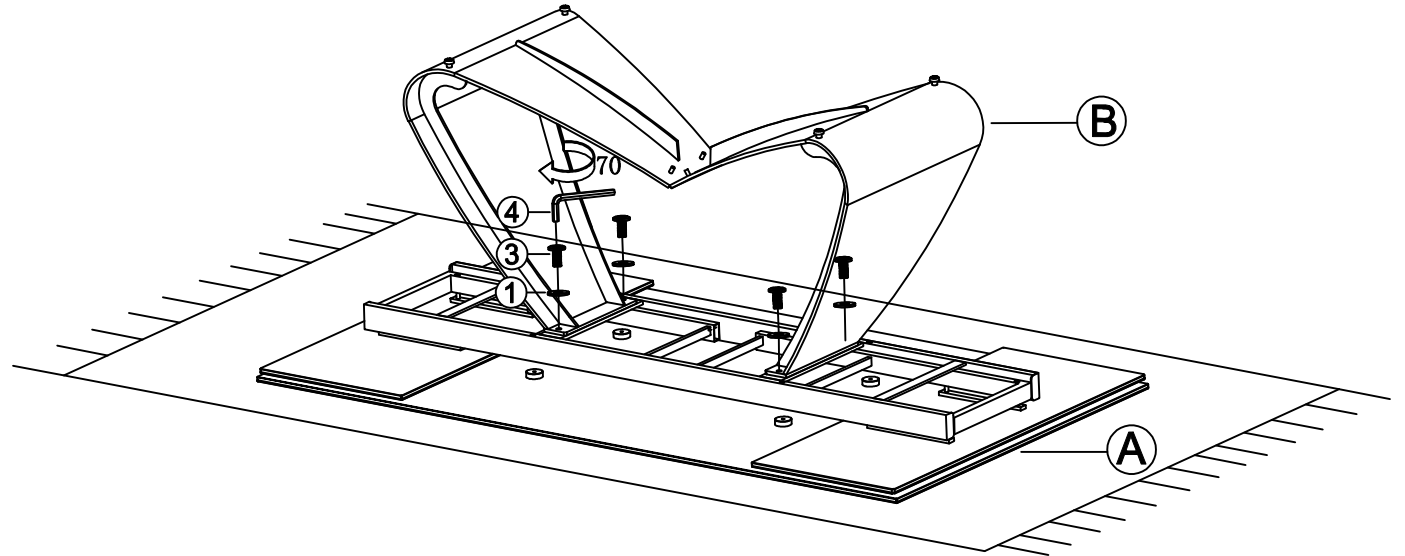


# 87519

# KARE DESIGN

	
	
(A) x1	(B) x2
	
(C) x1	M8 ① x8
	
M8 ② x4	M8x20mm ③ x4
	
(4) x1	(5) x1

Step 1



Step 2

