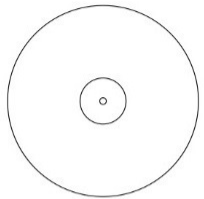

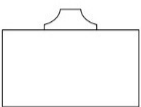


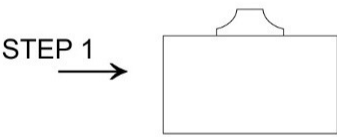
# **KARE** Item No.# 86730

DESIGN Assembly Instructions

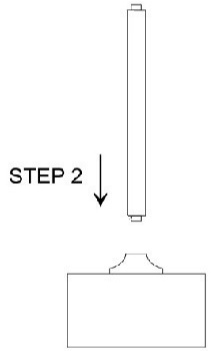
## Side Table

1pc <b>A</b> 	1pc <b>B</b> 	1pc <b>C</b> 
--	--	--

**step 1**



**step 2**



**step 3**

