



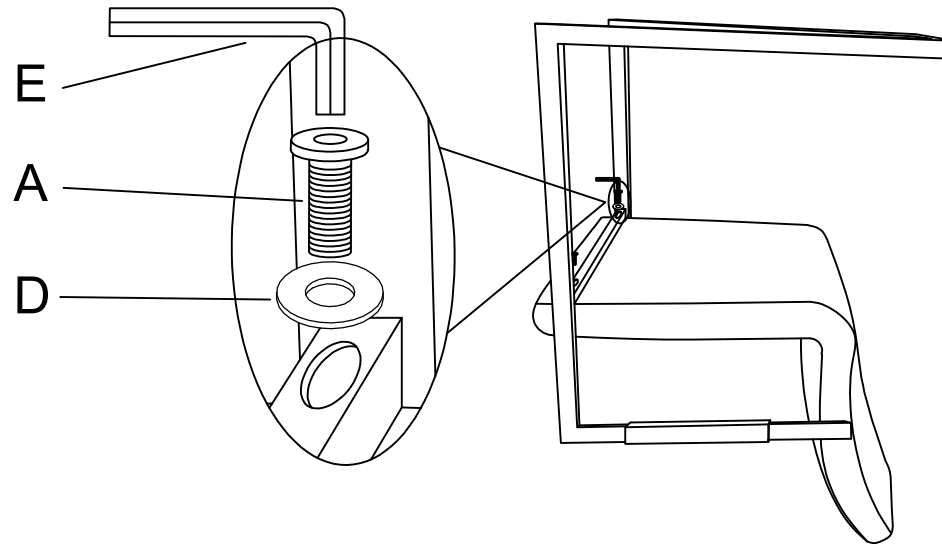
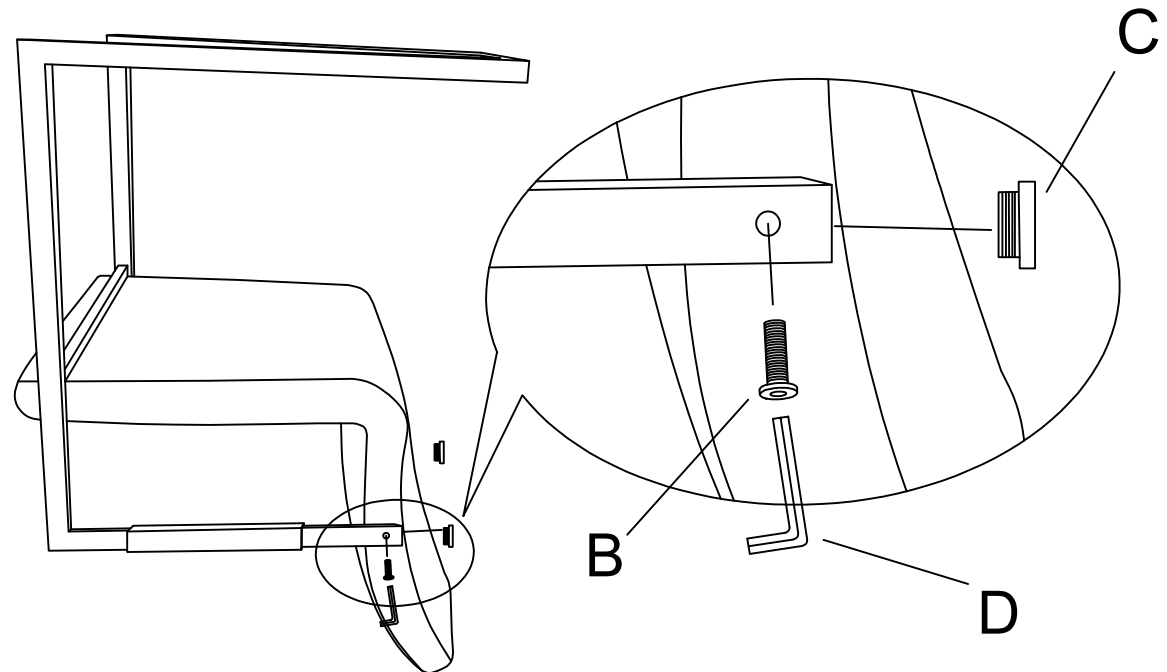
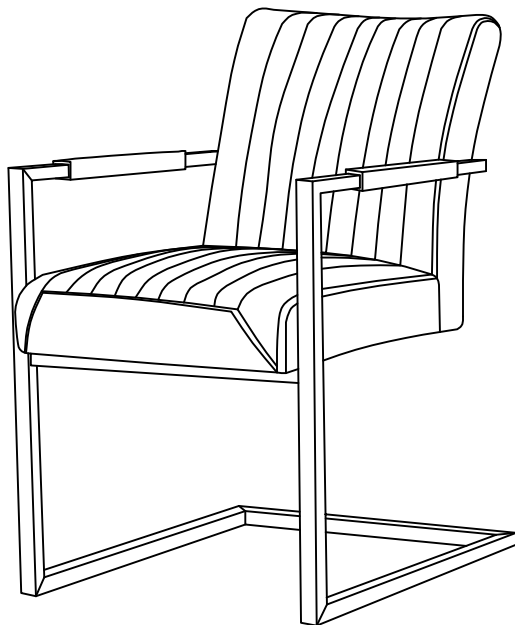


| | | |
|---|---|----|
| A |  | x2 |
| B |  | x2 |
| C |  | x2 |
| D |  | x2 |
| | | |
| | | |



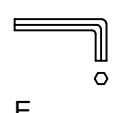
Step:1



Finish



0128013

| | | |
|--|--|---|
|  x1 |  0:10 |  E |
|--|--|---|