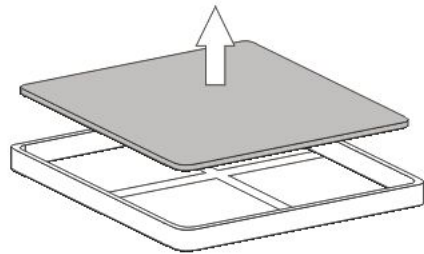
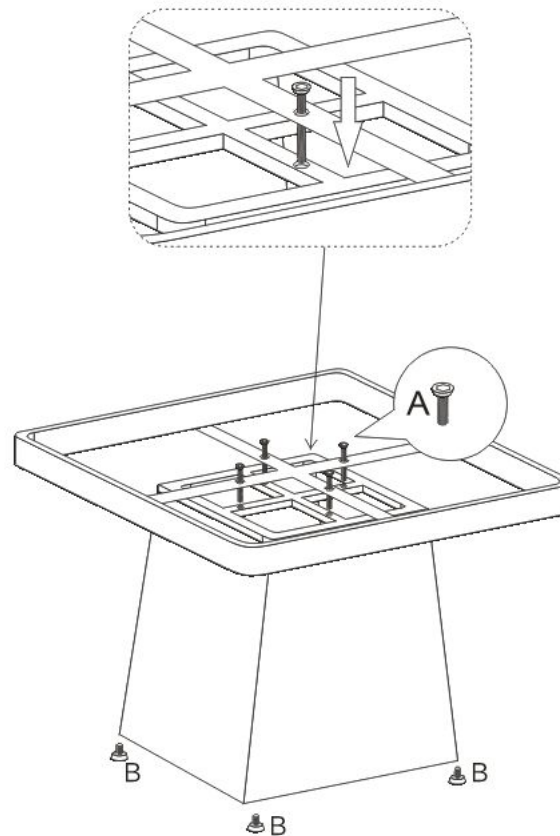


86417/86418/86419/86420 Side Table **KARE**
DESIGN

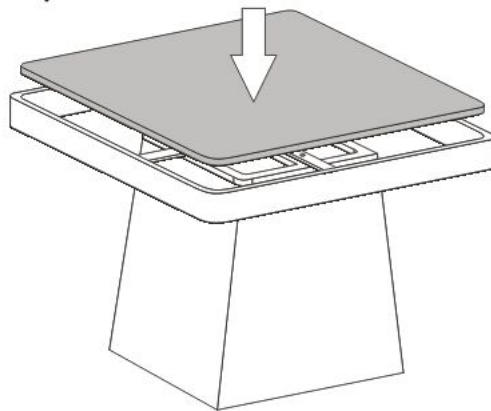
Step 1








Step 2



Step 3



parts

A		4Pcs
B		4Pcs
C		1Pcs
D		1Pcs
E		1Pcs

