




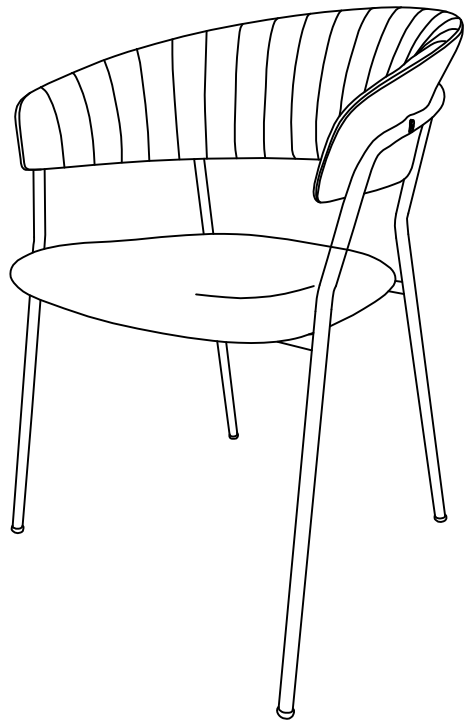
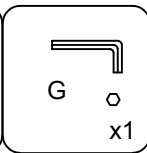
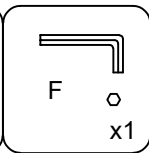
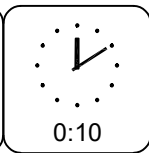
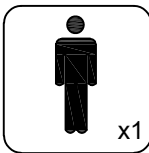


A		x4
B		x2
C		x1
D		x4
E		x3

Finish

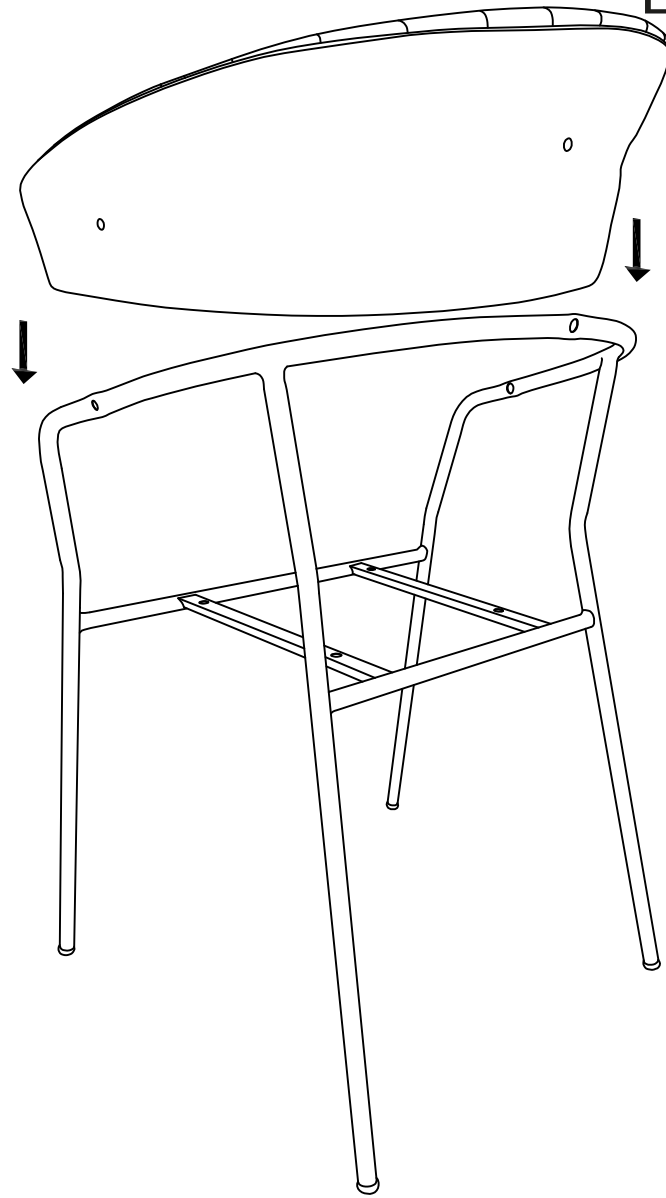


0129571

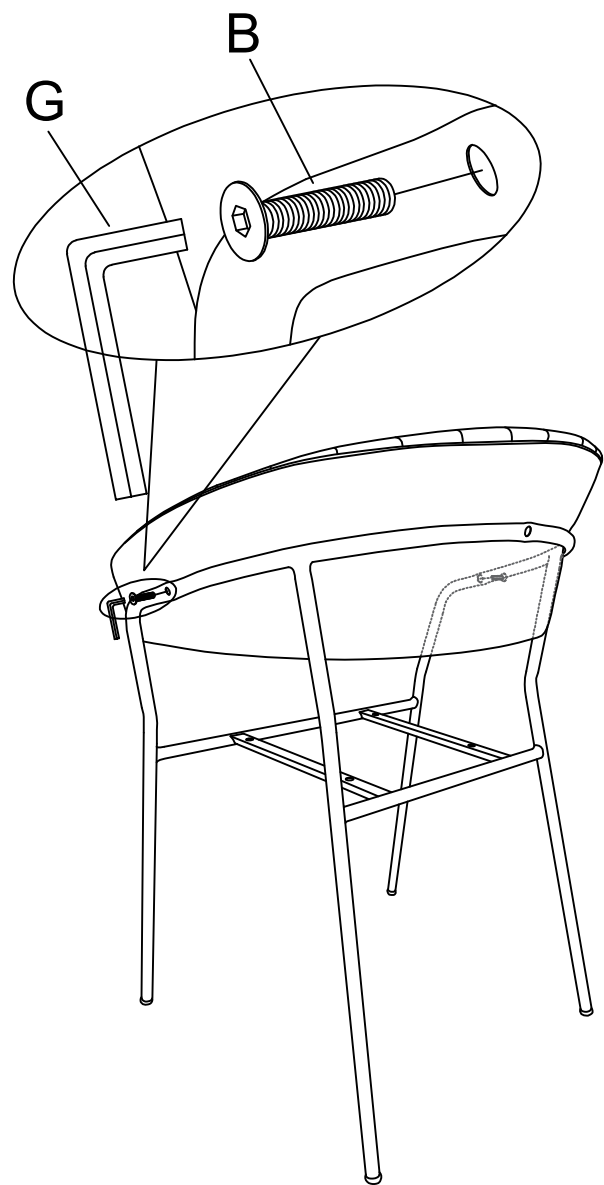


Step:1

KARE
DESIGN

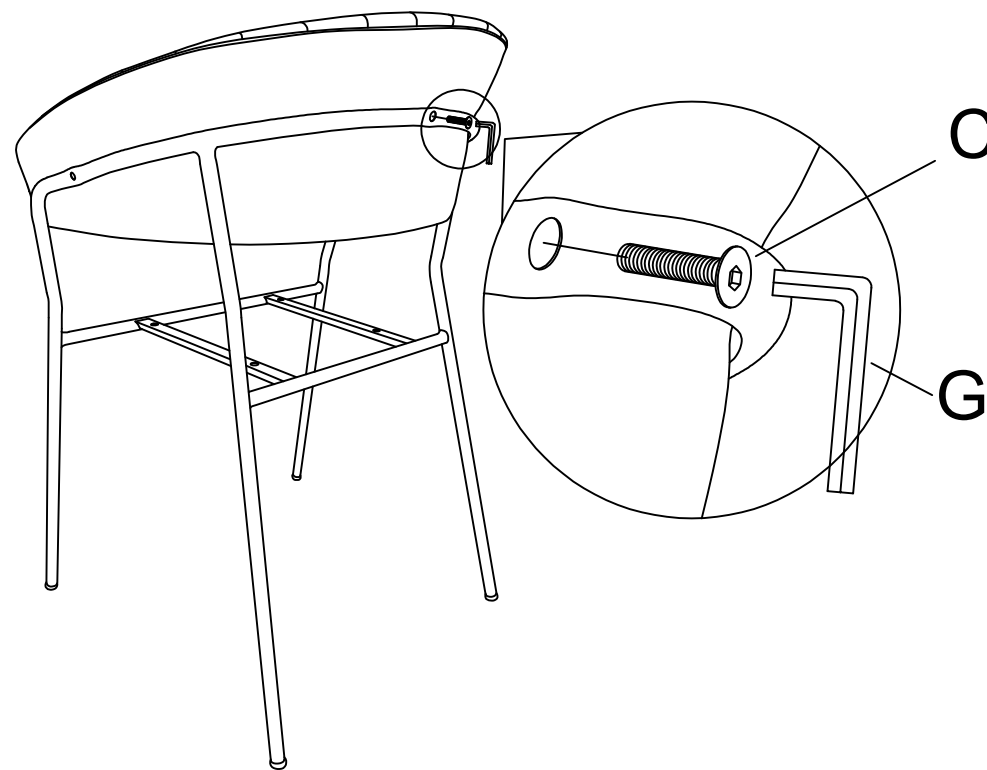


Step:2

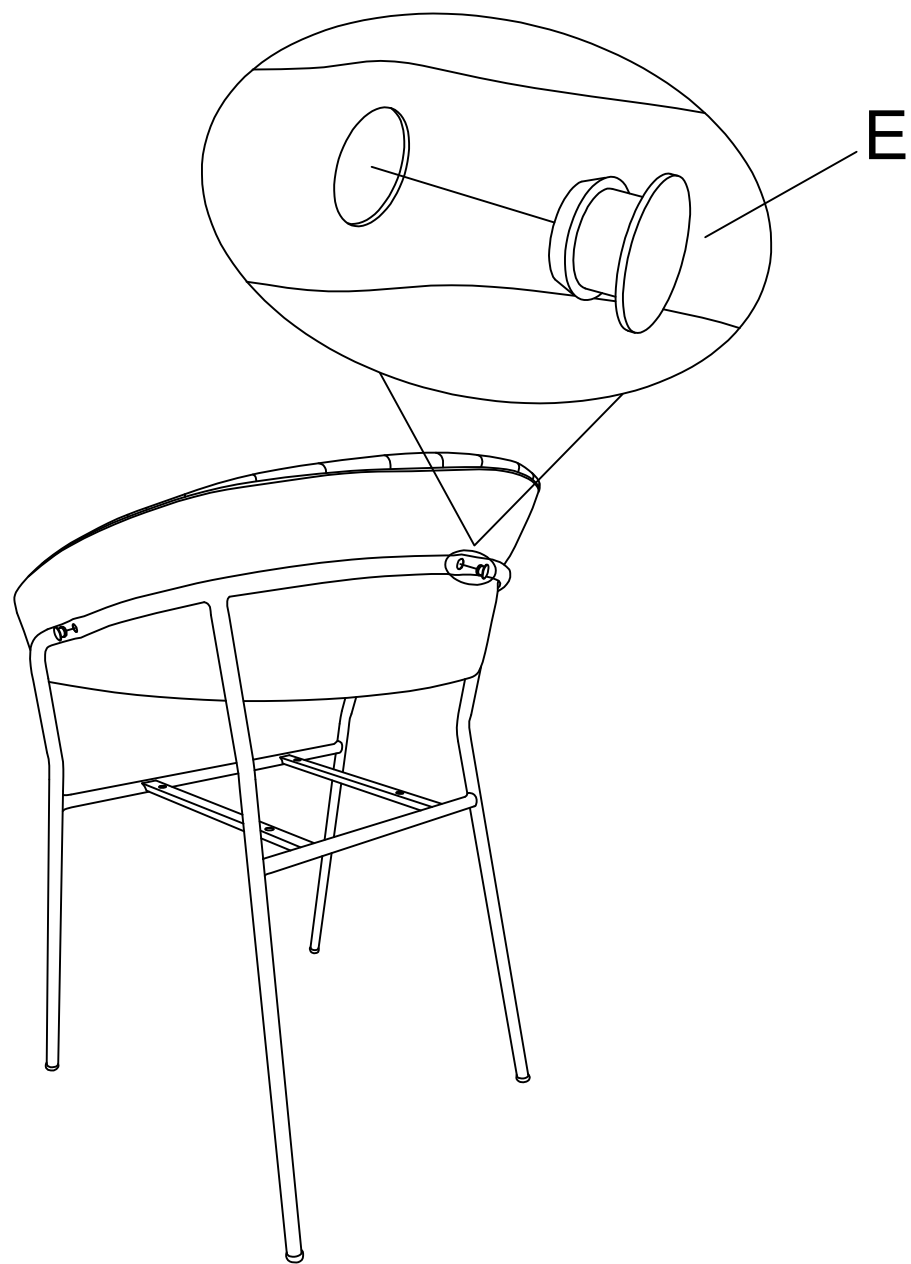


Step:3

KARE
DESIGN



Step:4



Step:5

KARE
DESIGN

