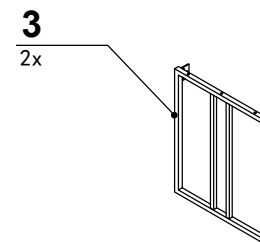
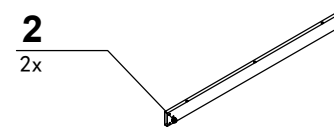
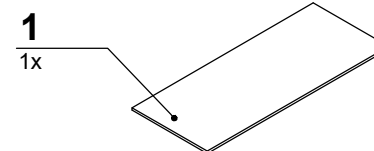
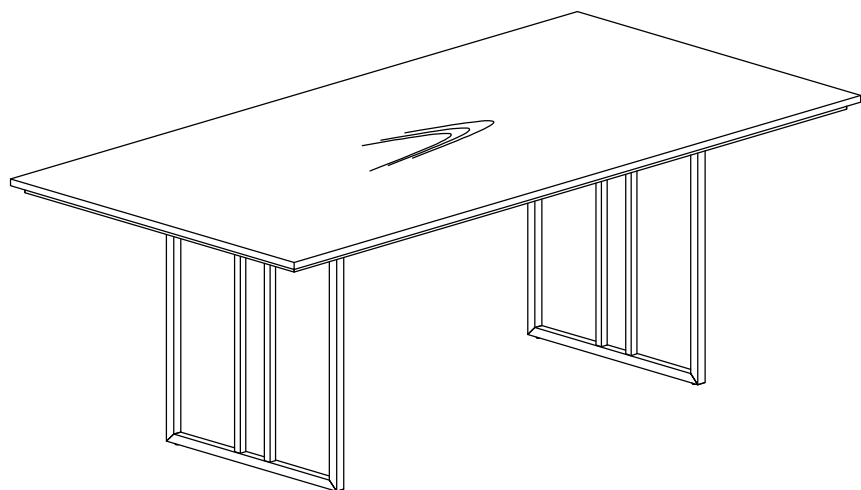


85860

Table Cesaro

KARE
DESIGN



A



M8*10= 12x

D



M8*40 = 6x

B



M8 = 18x

E

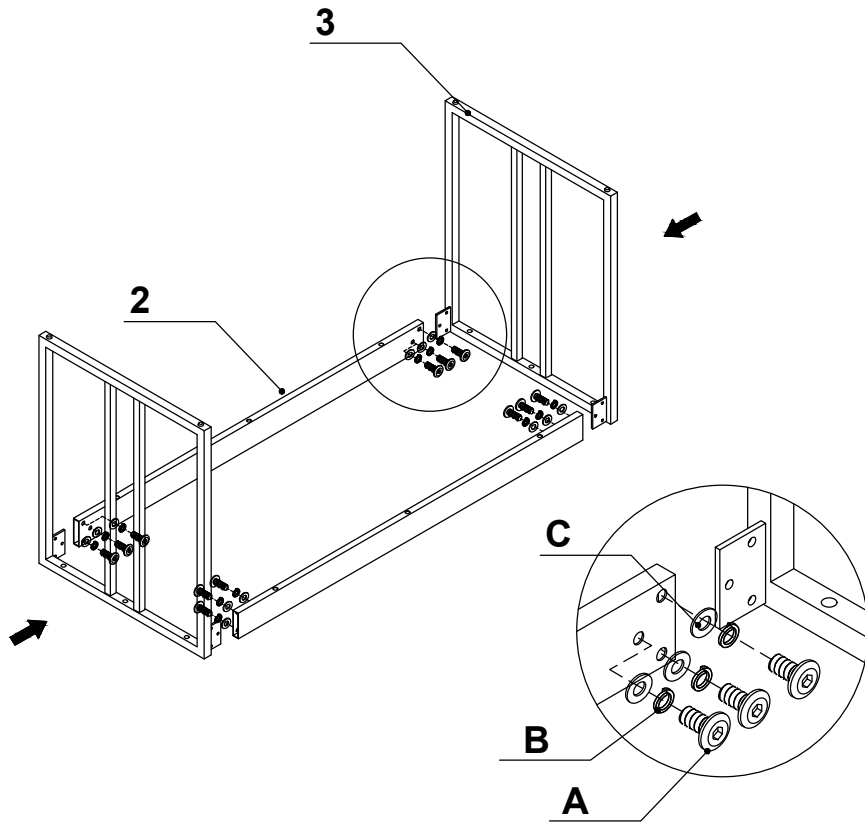


M8*90 = 6x

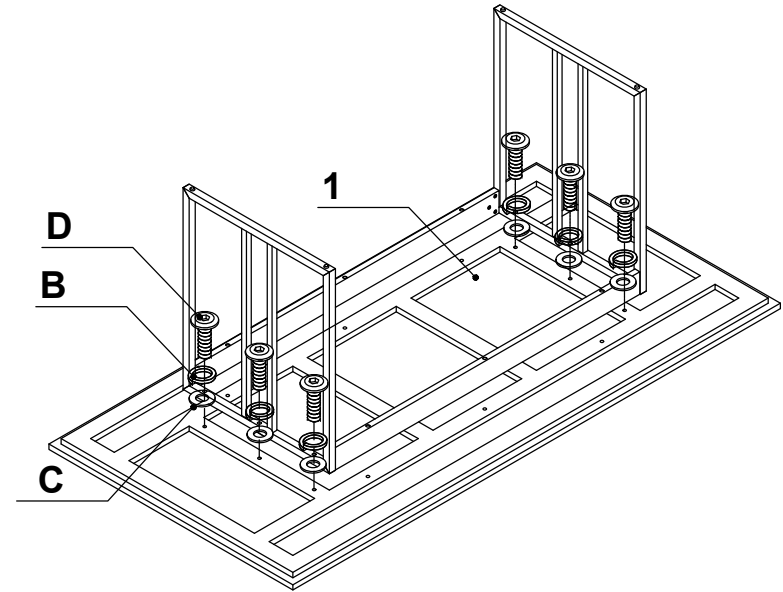
C



Ø18-8*1.5 = 18x



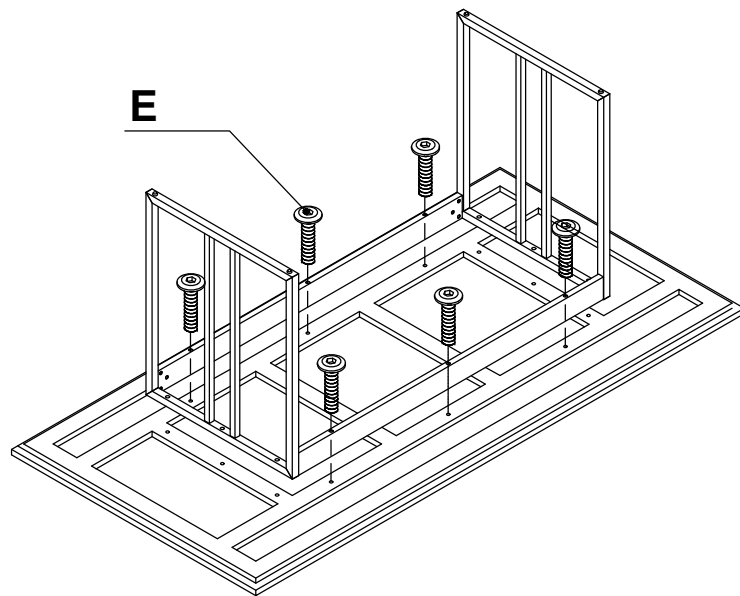
①



②

85860

Table Cesaro



3

85860

Table Cesaro