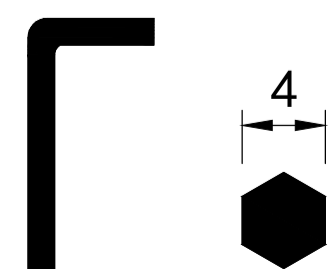
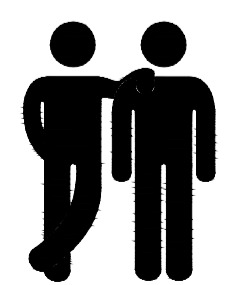
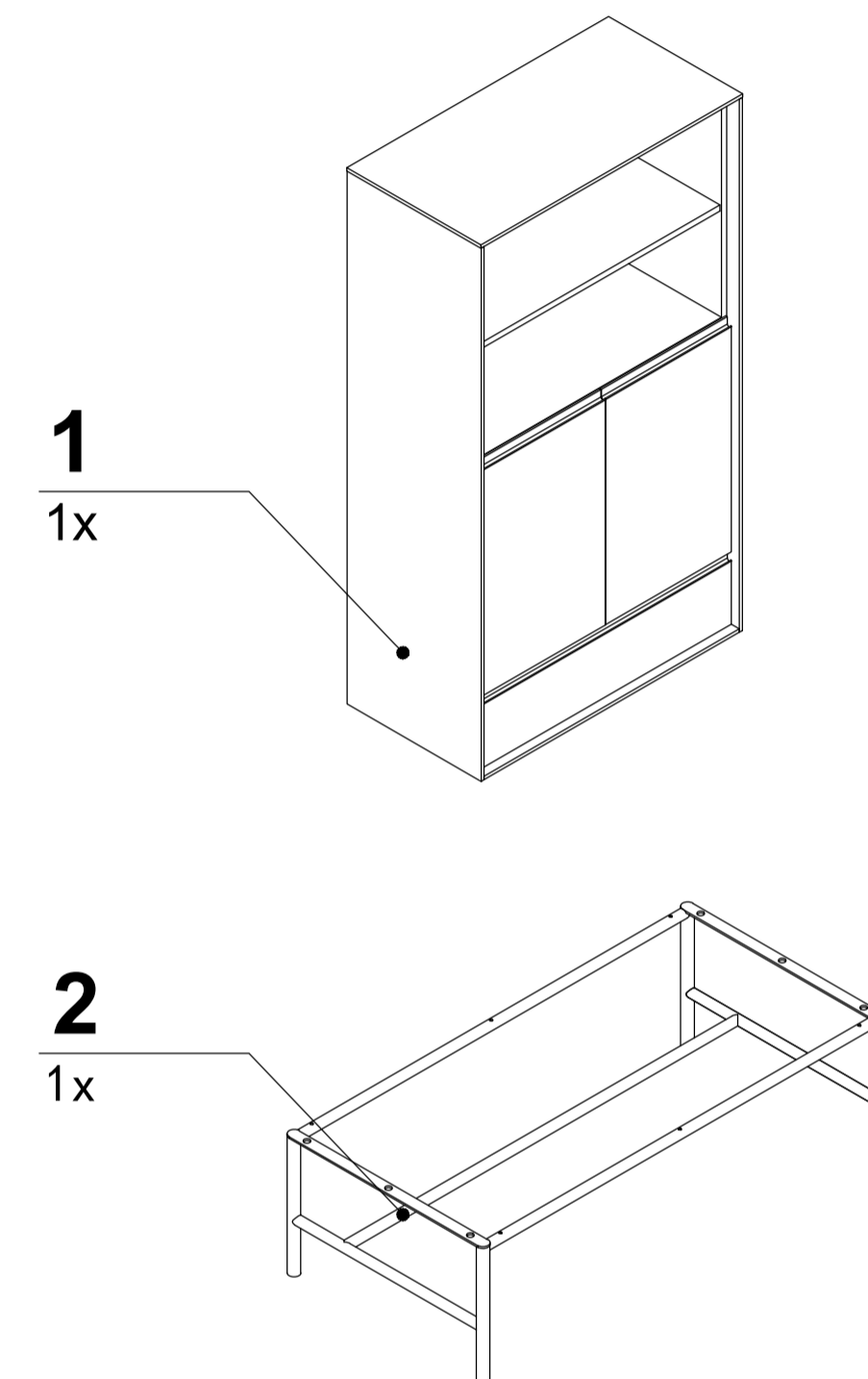
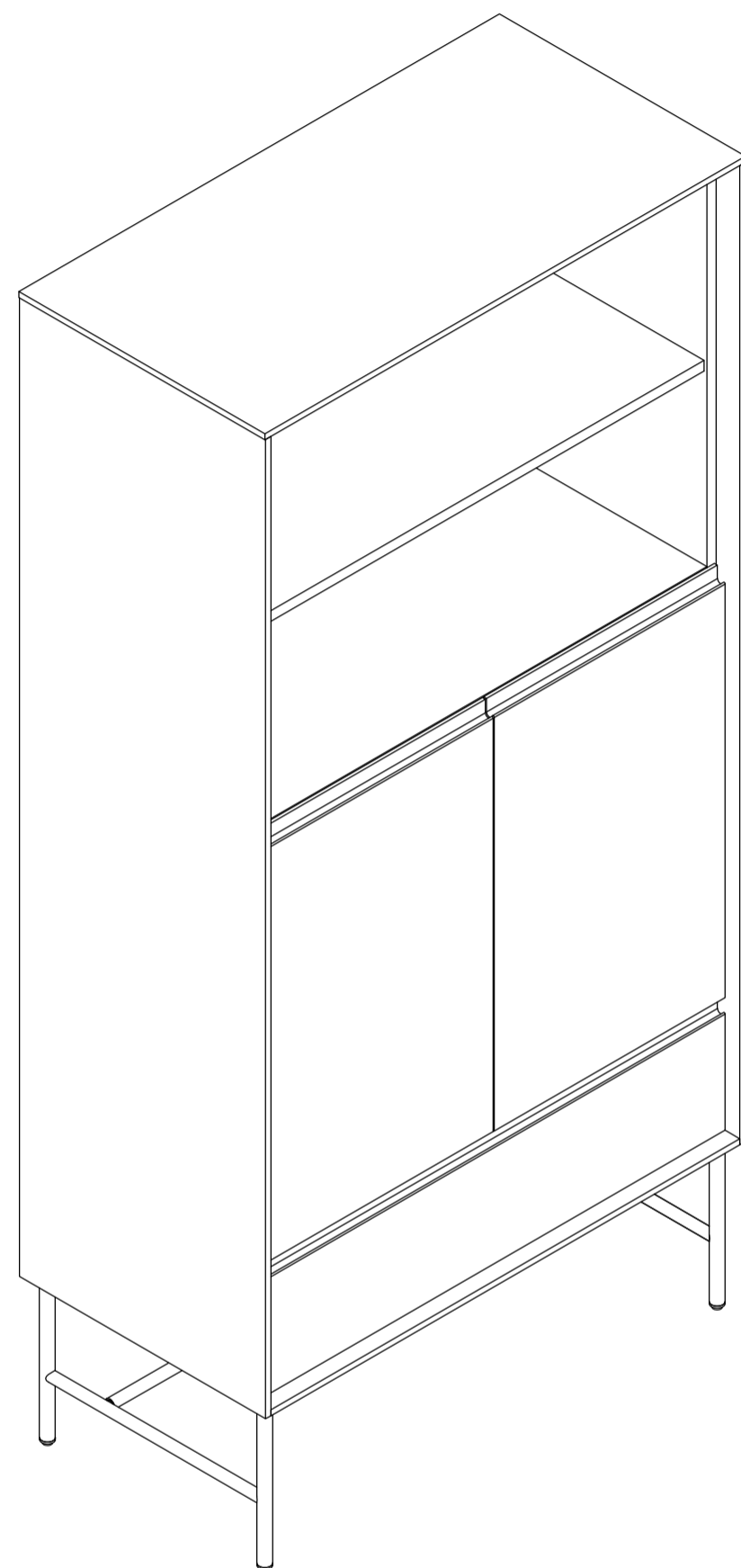
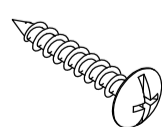
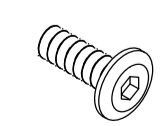
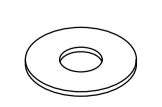


85854

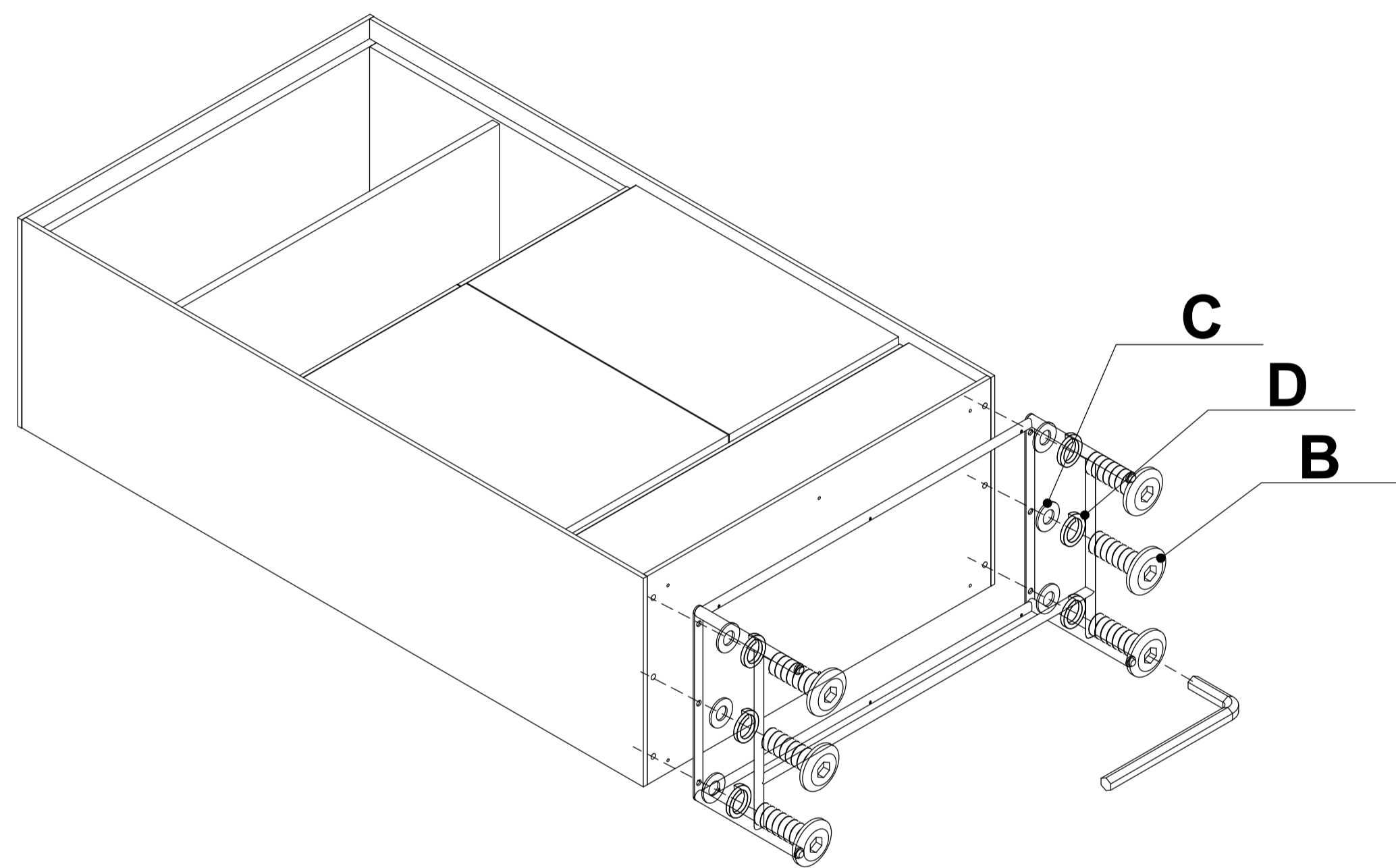
Cabinet Selina 82*170cm

KARE
DESIGN

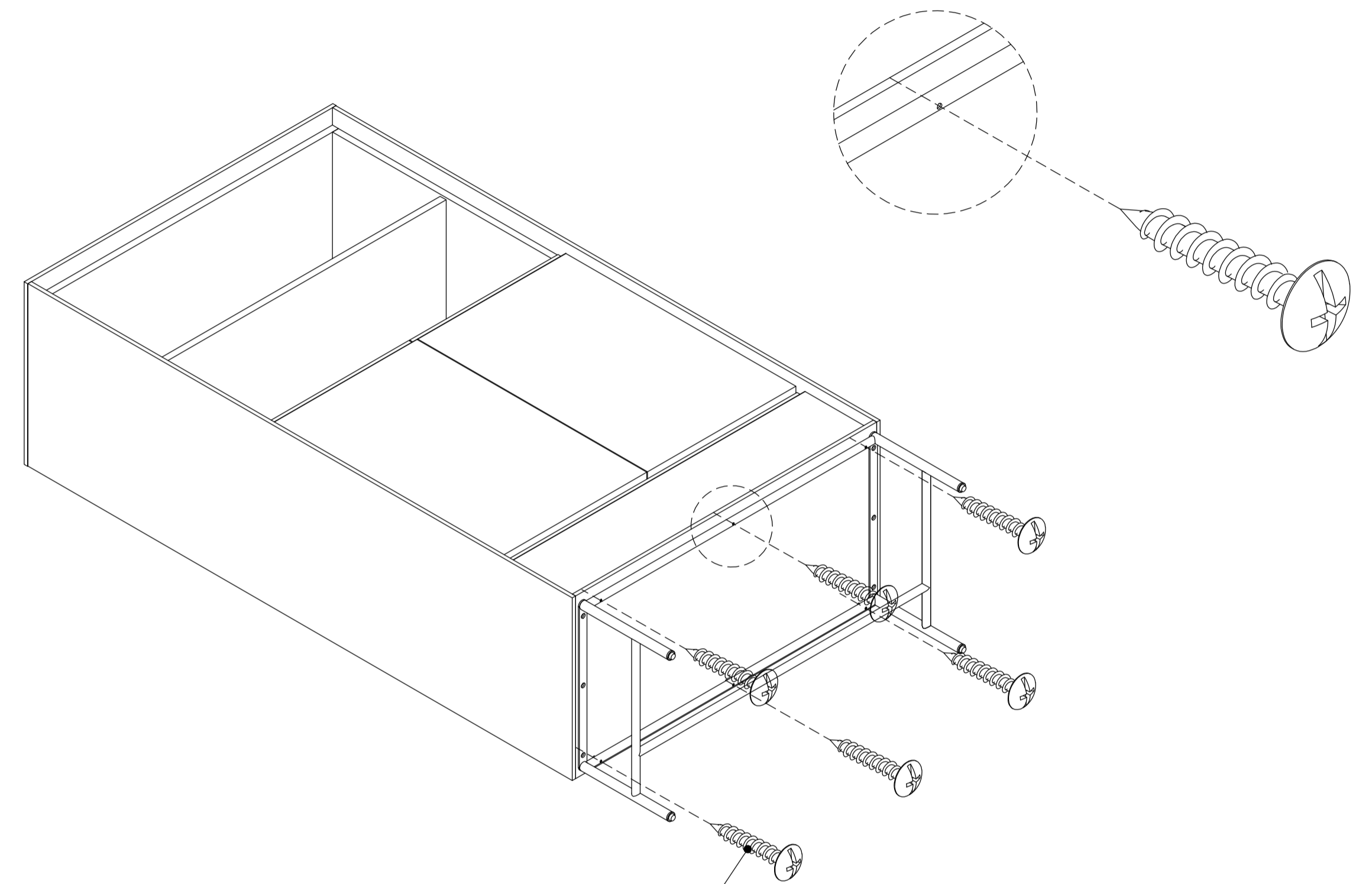


- A**  M4*30 = 6x
- B**  M6*30 = 6x
- C**  $\phi 16-16*1.5 = 6x$

- D**  M6 = 6x



1



A

2

85854

Cabinet Selina 82*170cm