

85829-Table La Gomera 160x80cm

KARE
DESIGN

A



x 1PC

B



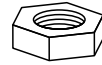
x 2PCS

C



x 2PCS

D



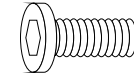
x 4PCS

E



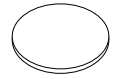
x 4PCS

F



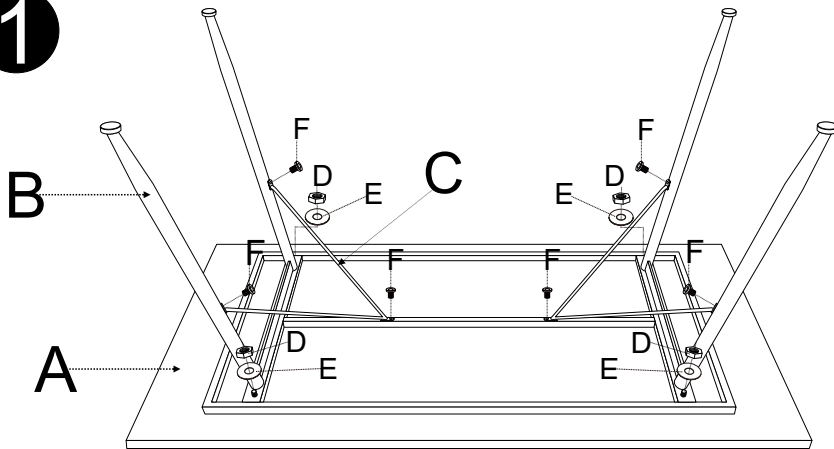
6x15mm
x 6PCS

G

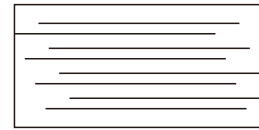


x 10PCS

1

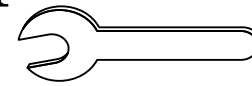


H



X1PC

I



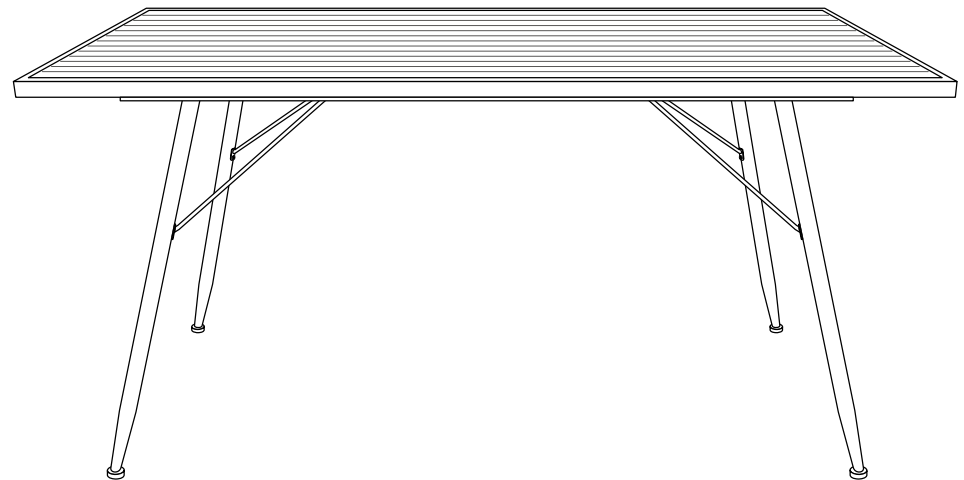
X1PC

J

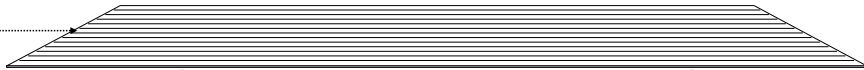


X1PC

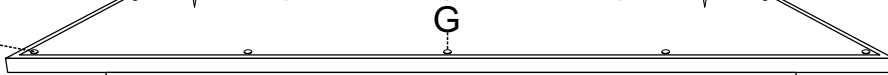
3



H



G



2

