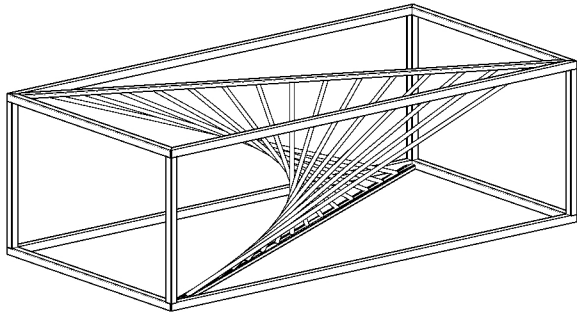


(1) X1



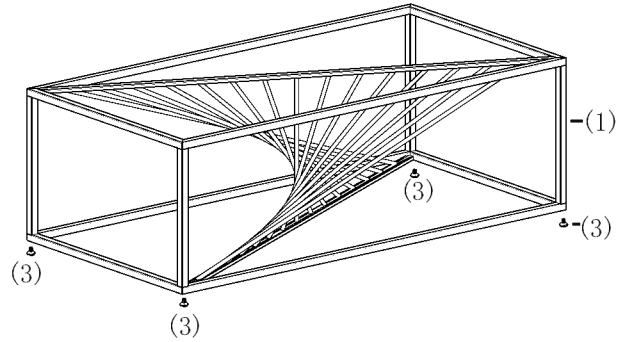
(2) X1



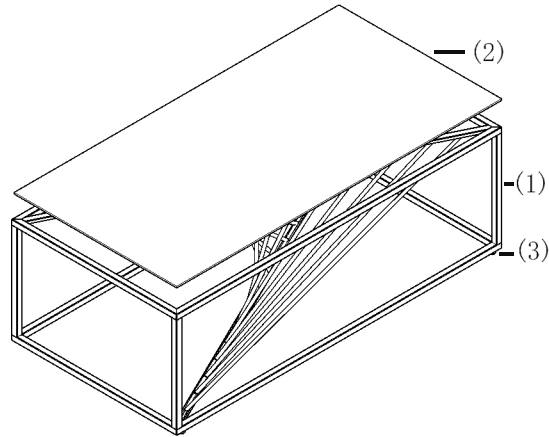
(3) X4



①



②



③

