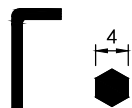
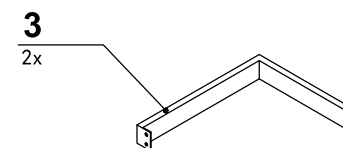
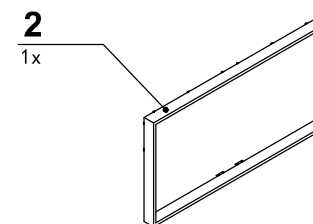
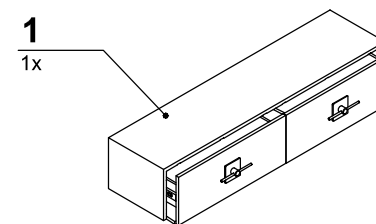
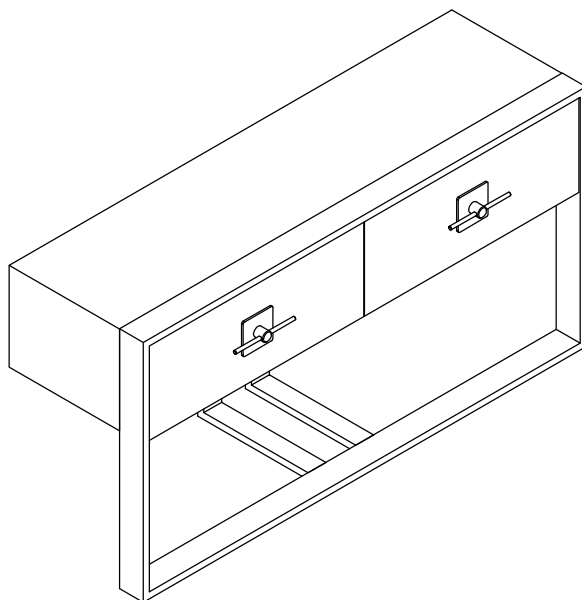




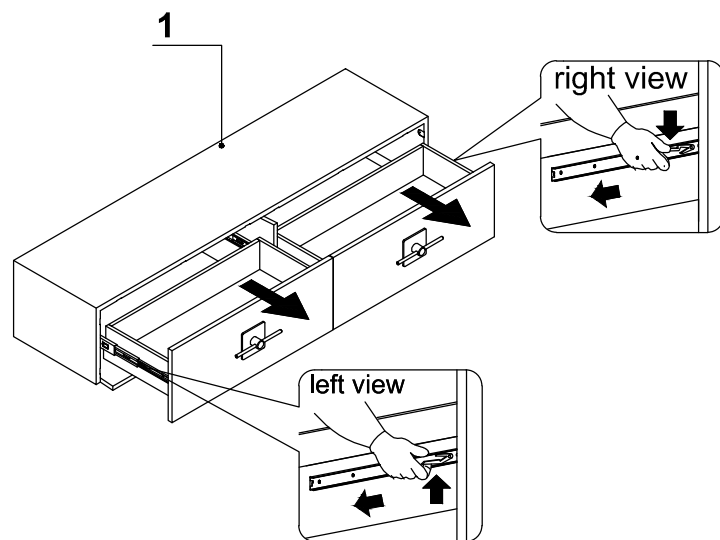


83880 Console Osaka

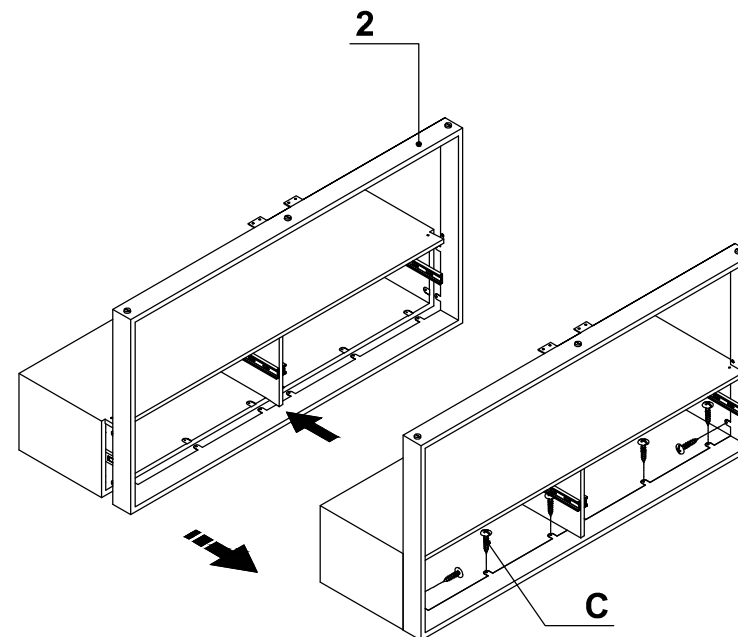
KARE
DESIGN



- A**  M6*16= 12x
- B**  $\phi 16-\phi 6*1.5= 12x$
- C**  M4*16= 10x
- D**  25*25*20= 2x

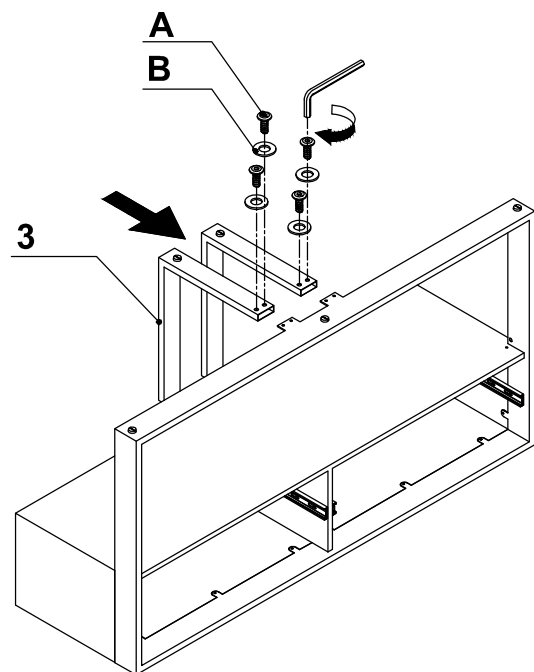


①

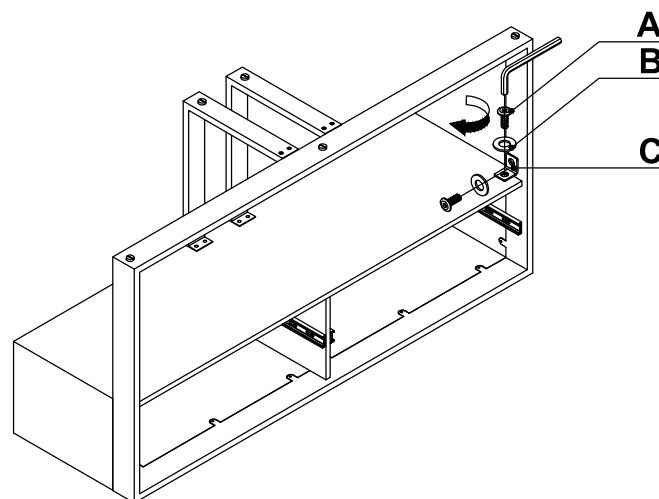


②

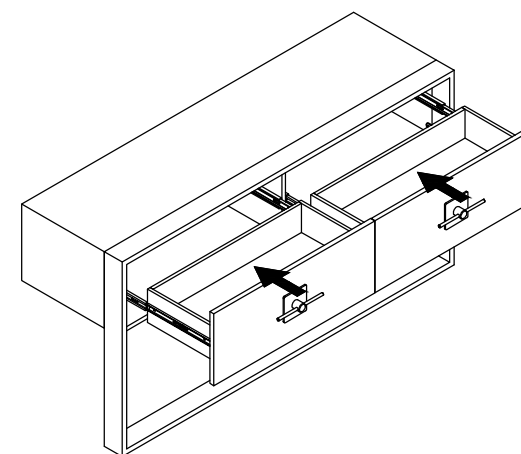
83880 Console Osaka



3



4



5