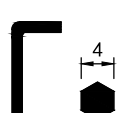
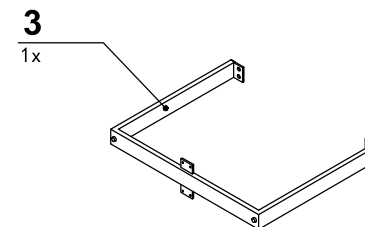
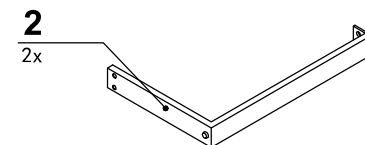
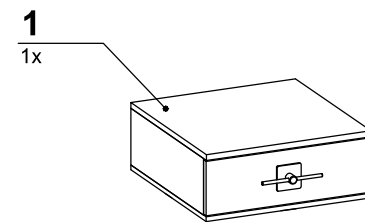
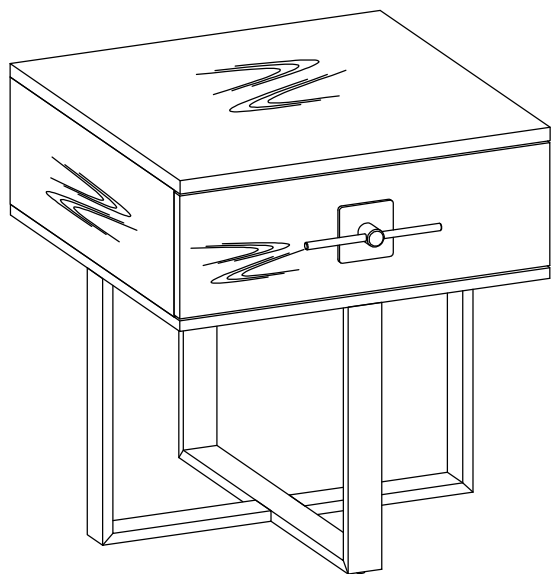




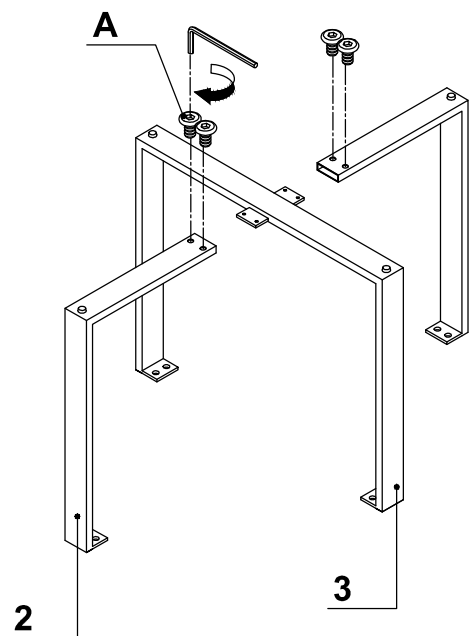


# 83875 Dresser Small Osaka

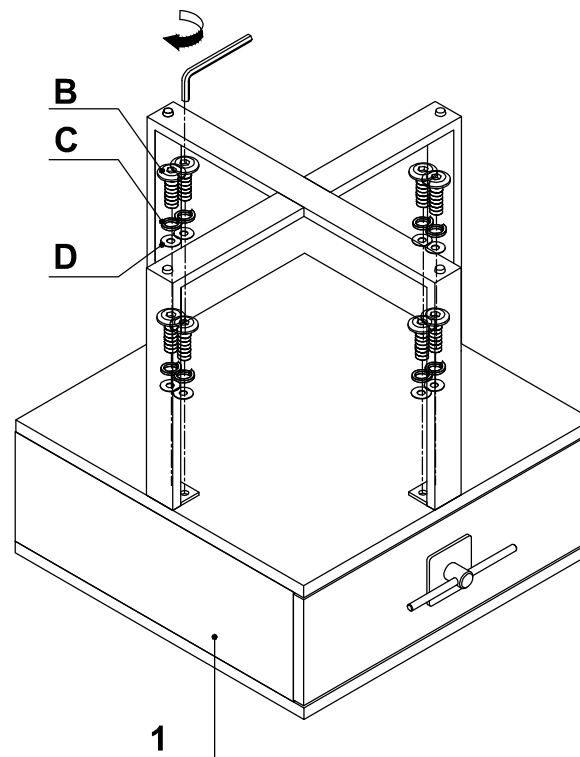
**KARE**  
DESIGN



- A**  M6\*10= 4x
- B**  M6\*16= 8x
- C**  M6= 8x
- D**   $\phi 16-\phi 6*1.5= 8x$



①



②

**83875** Dresser Small Osaka