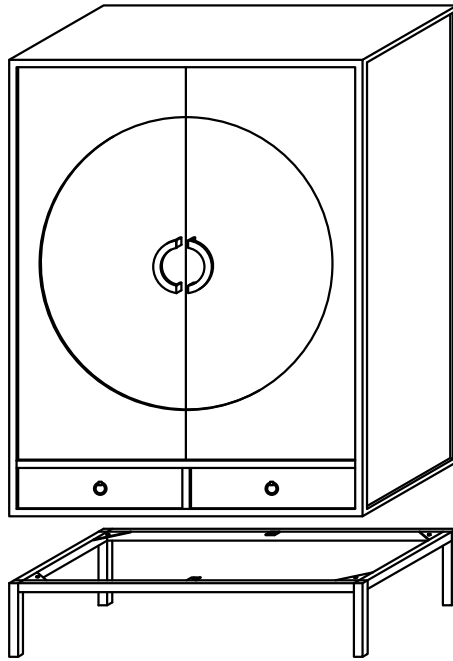





KARE ITEM NO.: 82772

CABINET

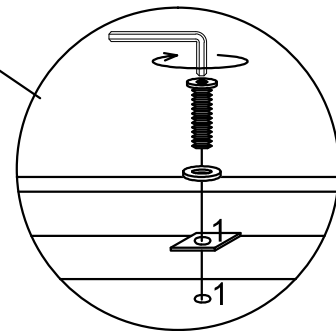
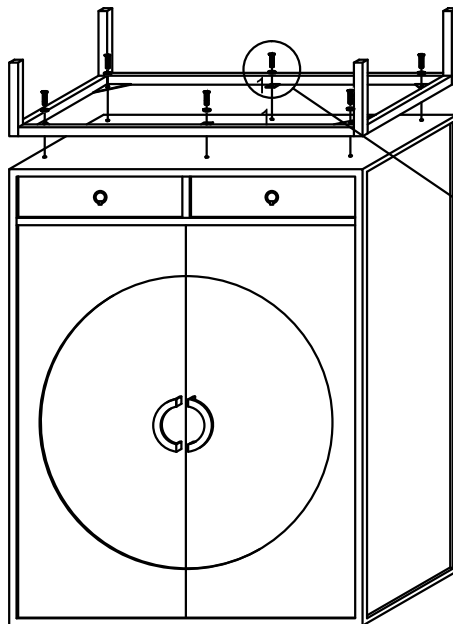
SIZE:W1200\*D550\*H1800

**KARE**  
DESIGN



			QTE
A		SW M8X70	6
B		WR M2Xd19	6
C		M6	1

1



2

