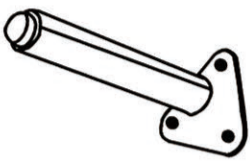

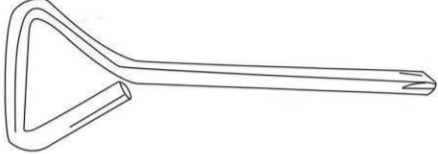
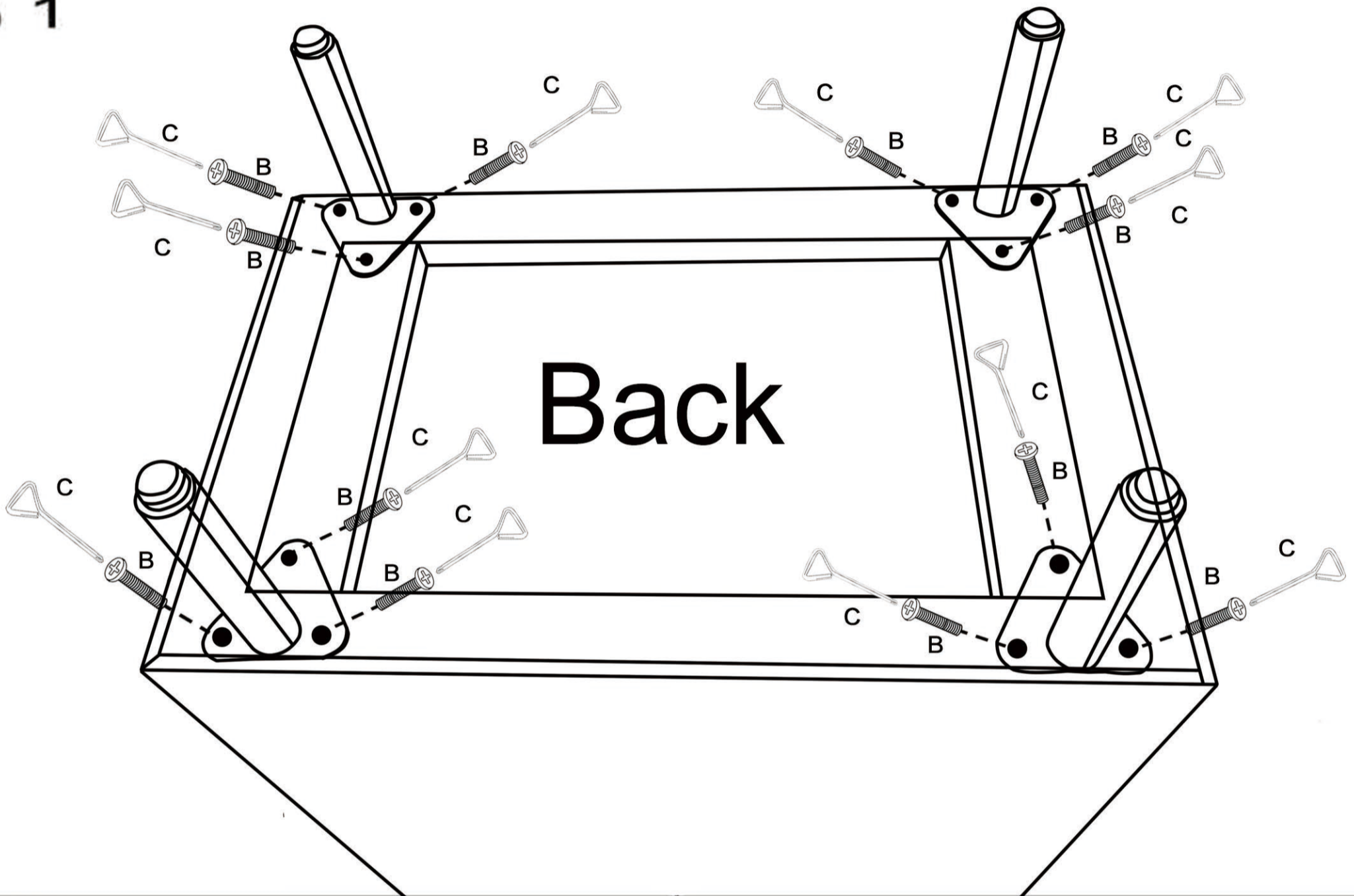


一、Parts list

DESC.	Diagram	QTY	DESC.	Diagram	QTY
A		4	B	 M6x20	12
C		1			

一、Assembly steps

Step 1



Step 2

