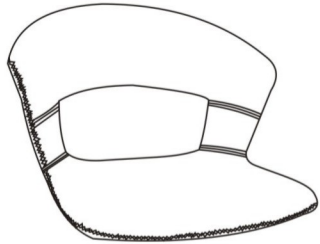
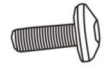


AX1



DX4



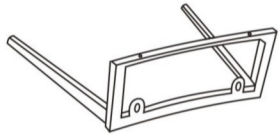
6X16

Ex2



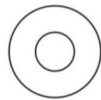
6X25

BX1

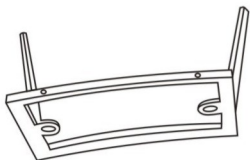


Front Leg

Fx2



CX1

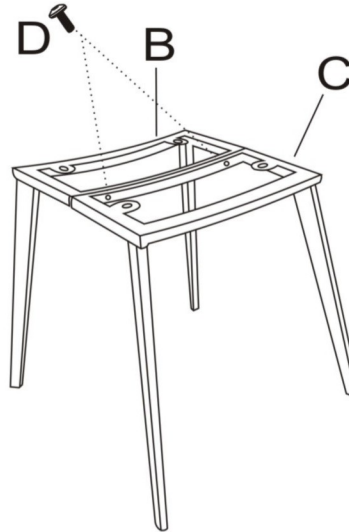


Back Leg

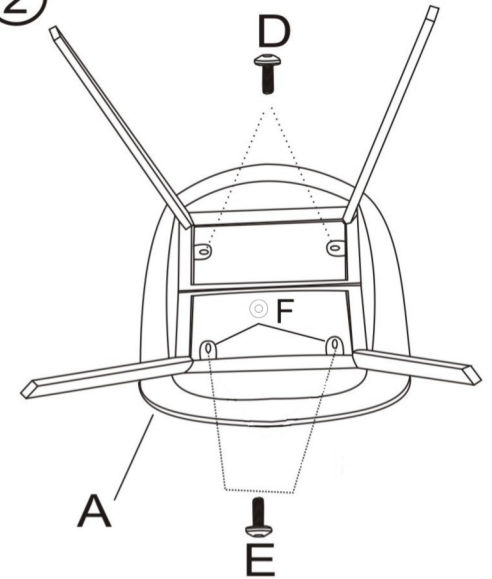
Gx1



①



②



③

