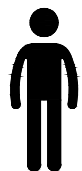
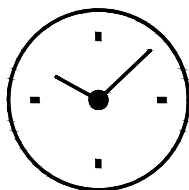


# Art. 71429 - Extension Table Tempo 137(+40+40)x90cm



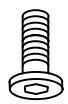
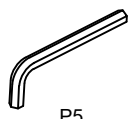

# KARE DESIGN

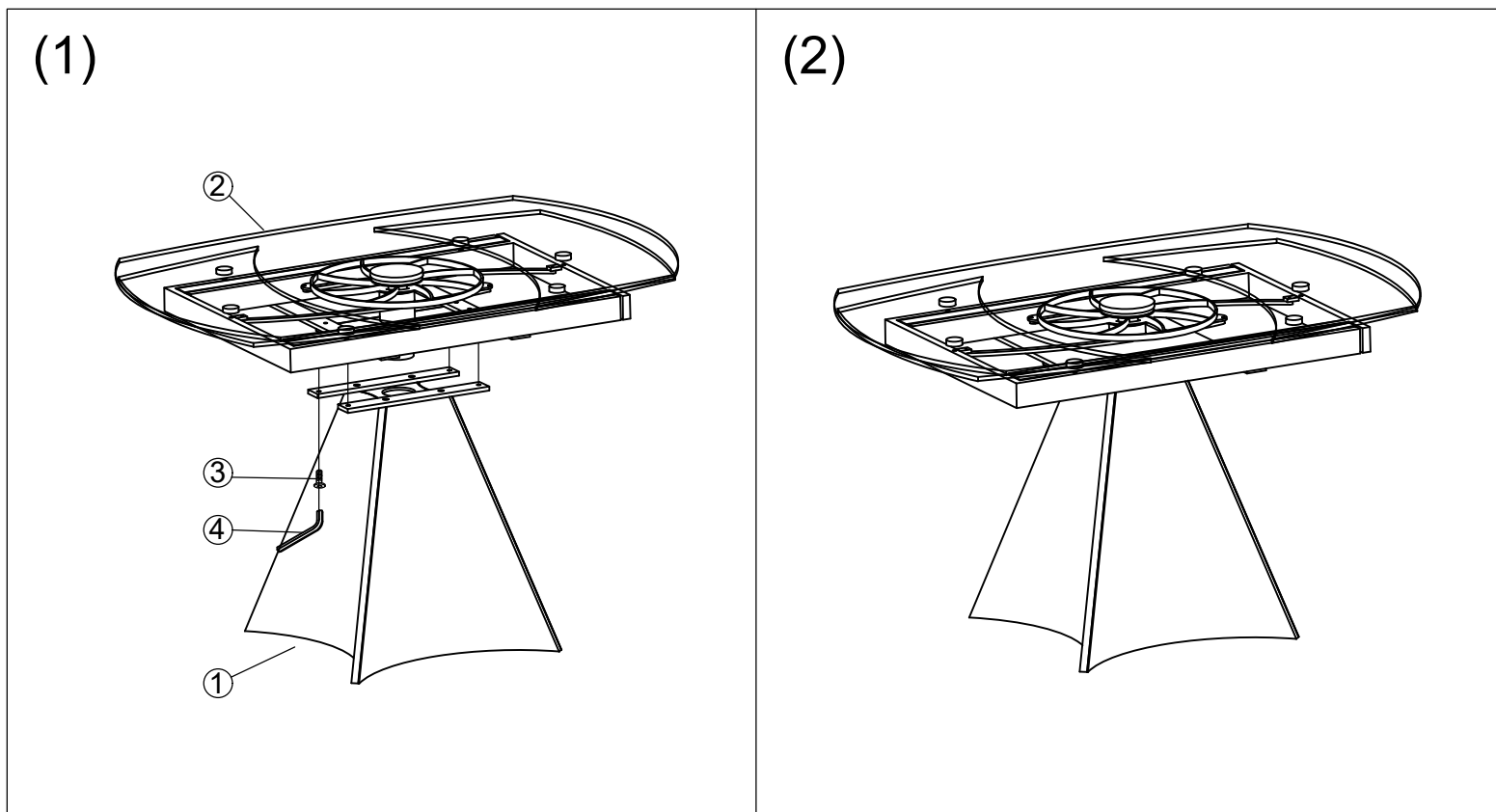


2 PERSON  
ASSEMBLY



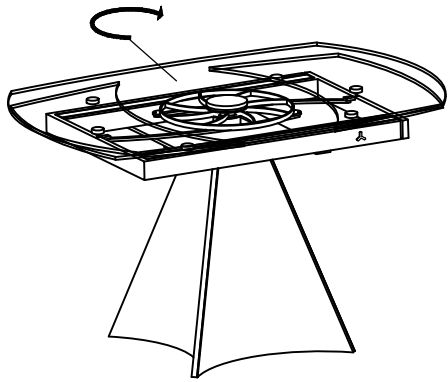
ABOUT  
30 MIN.  
ASSEMBLY

- ① x1 
- ② x1 
- ③ x4   
M8\*15
- ④ x1   
P5
- ⑤ x1   
P4

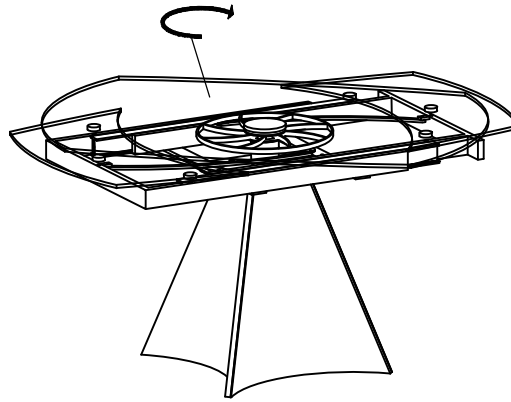


# USER MANUAL

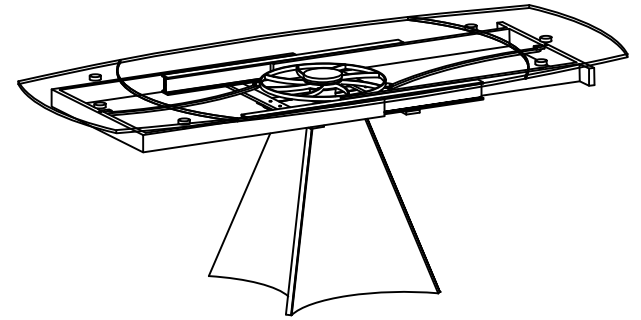
(1)



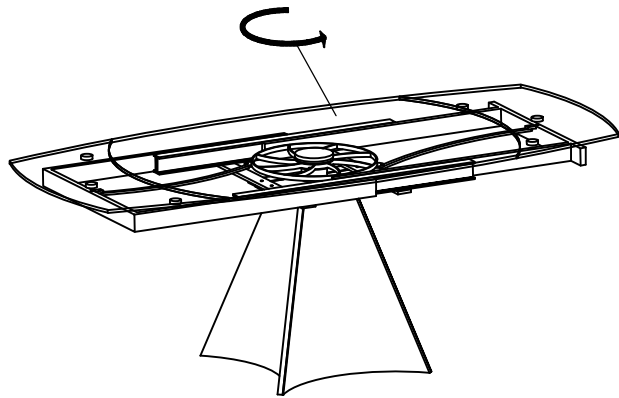
(2)



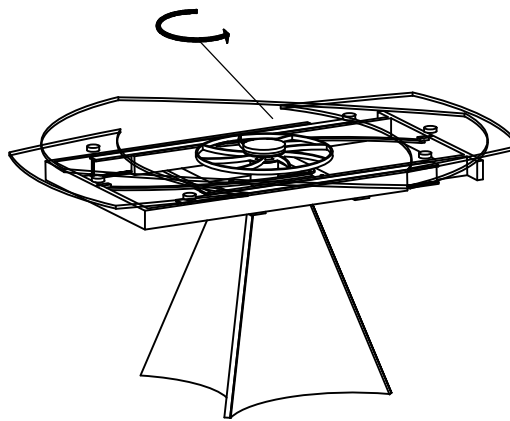
(3)



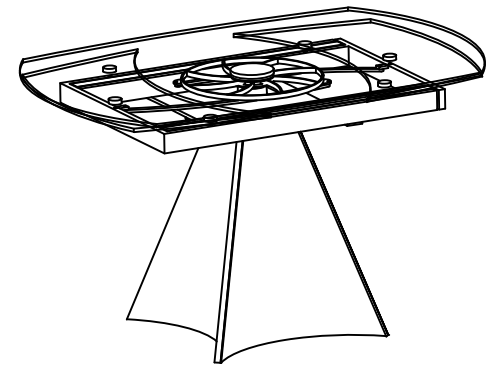
(4)



(5)

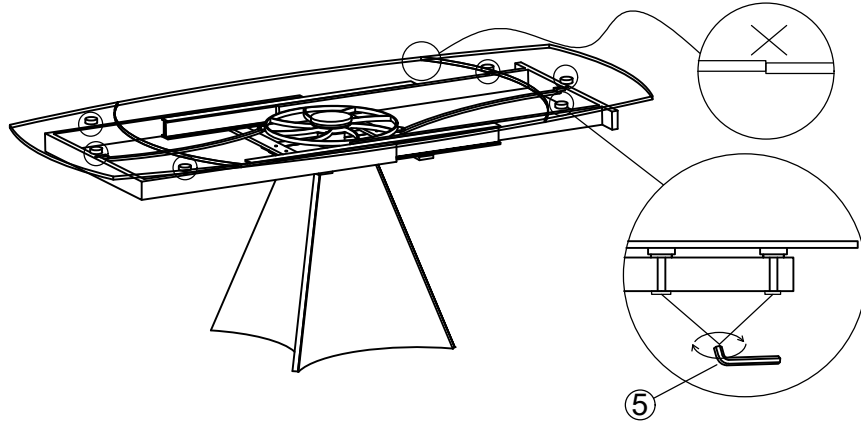


(6)

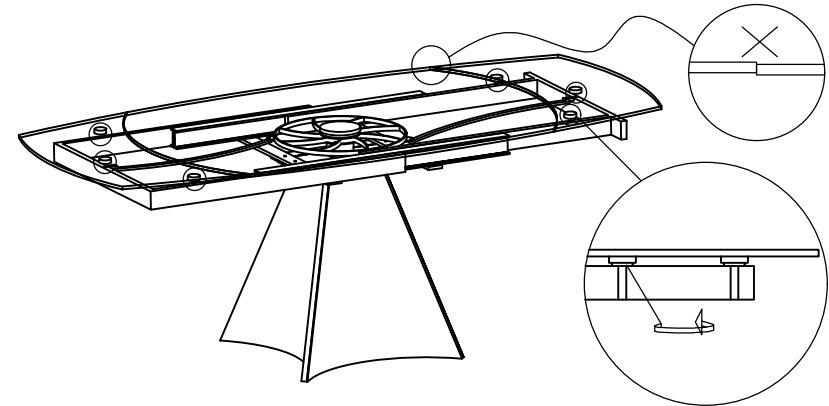


# ADJUSTMENT

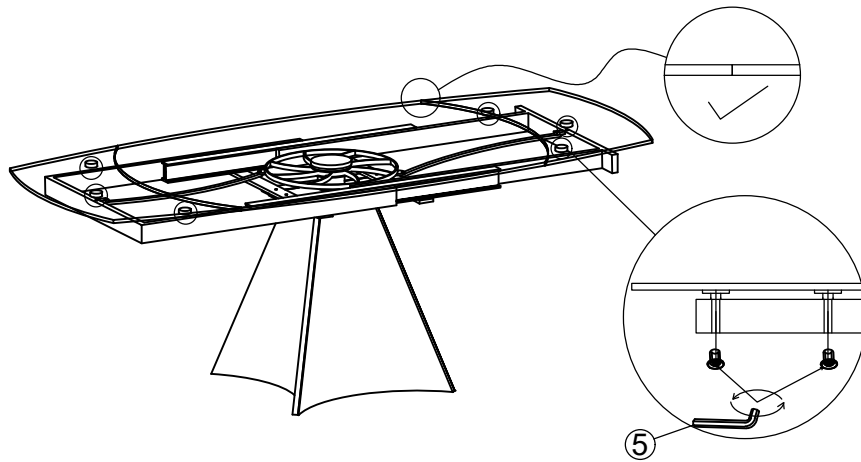
(1)



(2)



(3)



(4)

