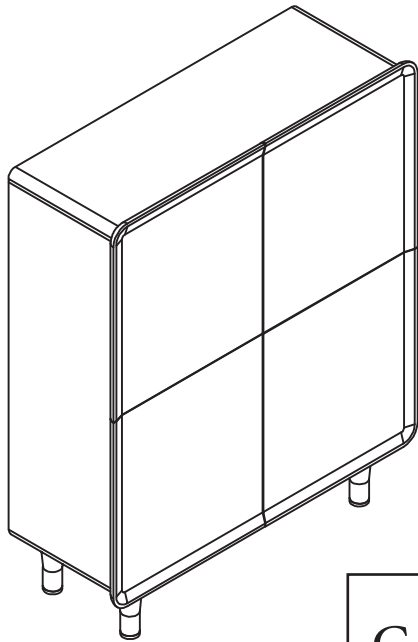
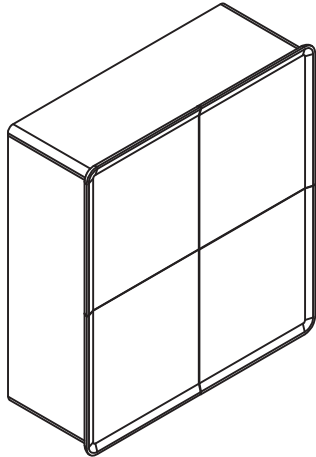
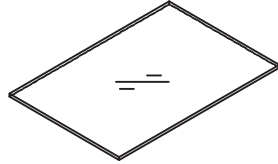

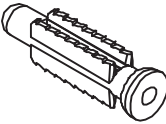
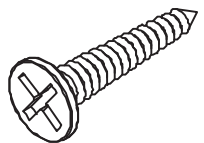
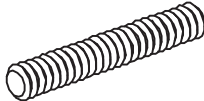


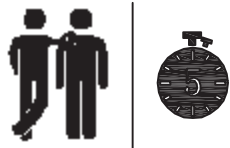


70053 Cabinet Divine 110x137cm

KARE
DESIGN

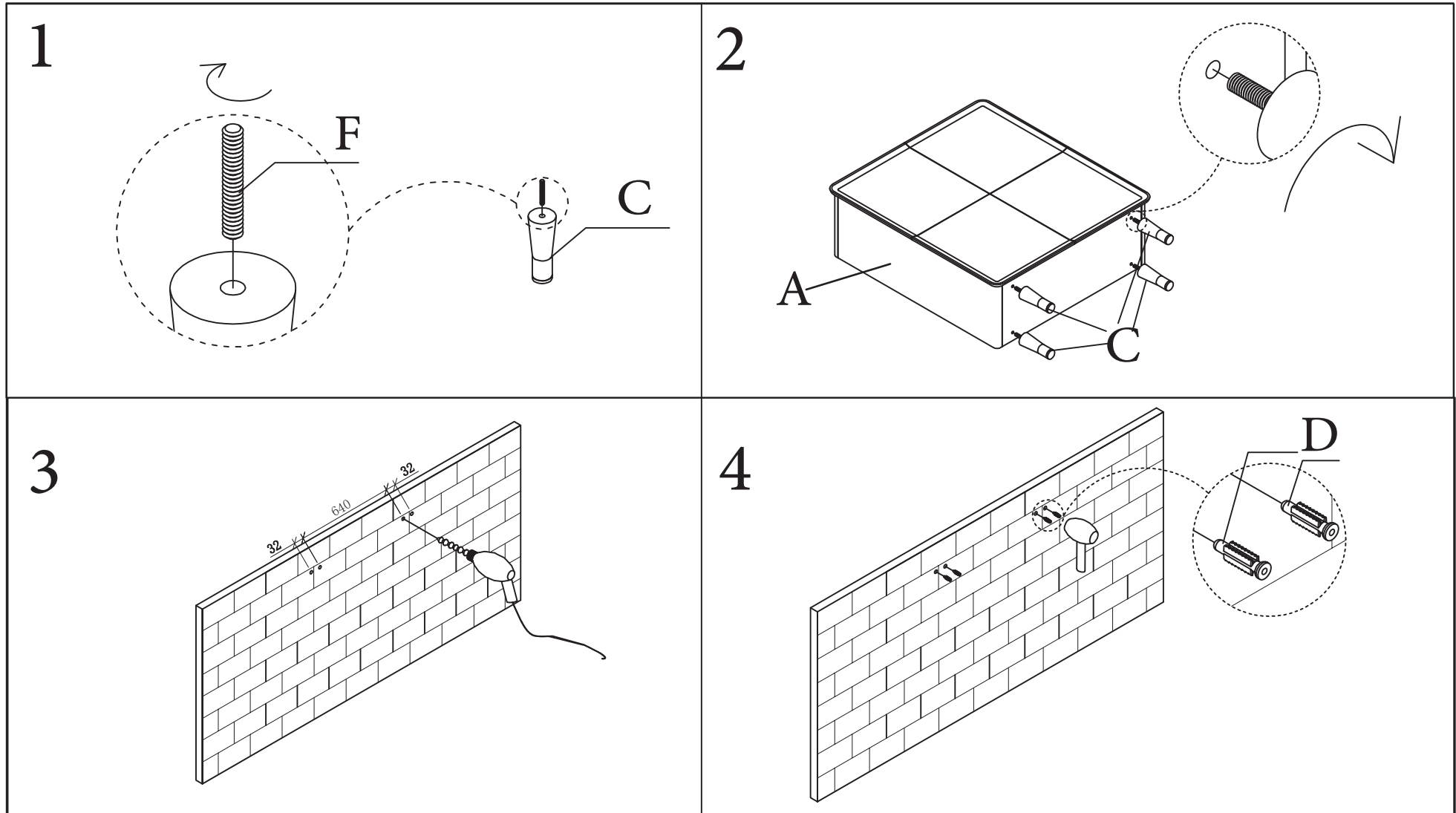


A 	B  4pcs	
C  4pcs	D NOT INCLUDED  4pcs	E NOT INCLUDED  3.5x30 4pcs
F  M8x50 4pcs	G  2pcs	H  $\phi 5$ 16pcs



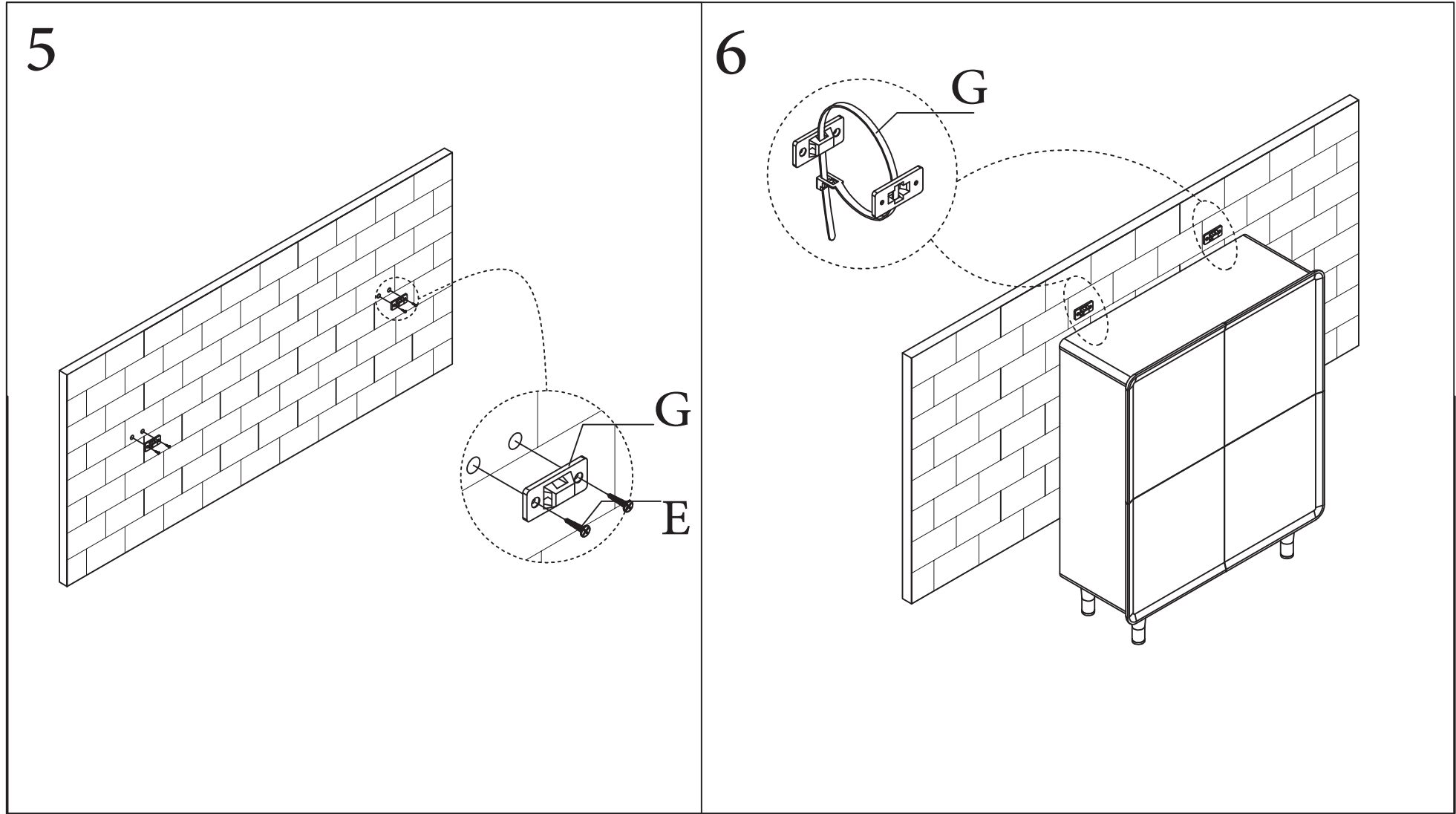
70053 Cabinet Divine 110x137cm

KARE
DESIGN



70053 Cabinet Divine 110x137cm

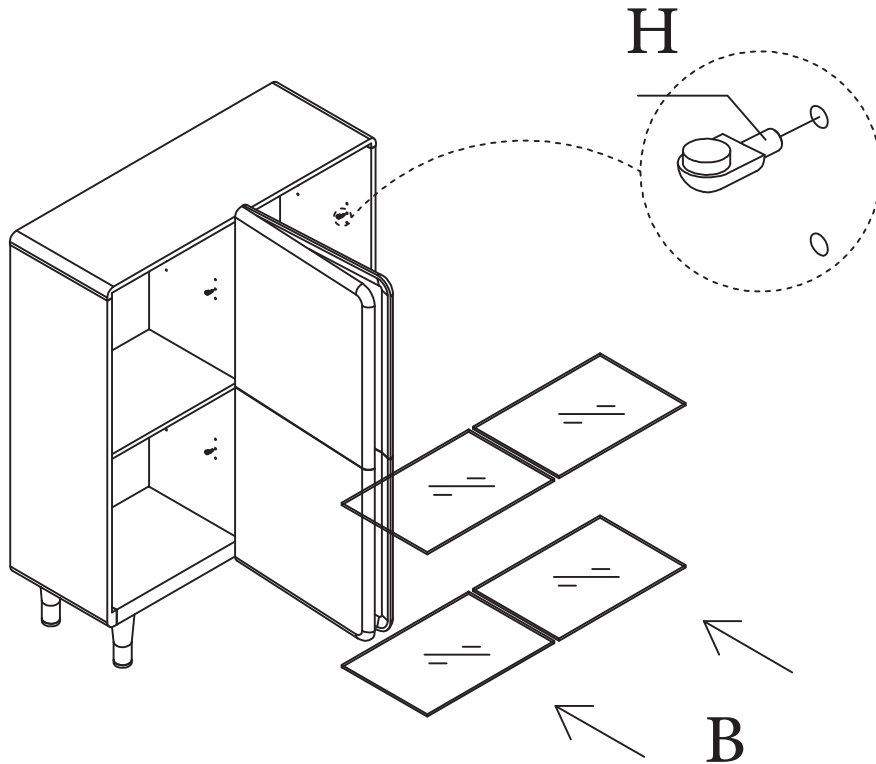
KARE
DESIGN



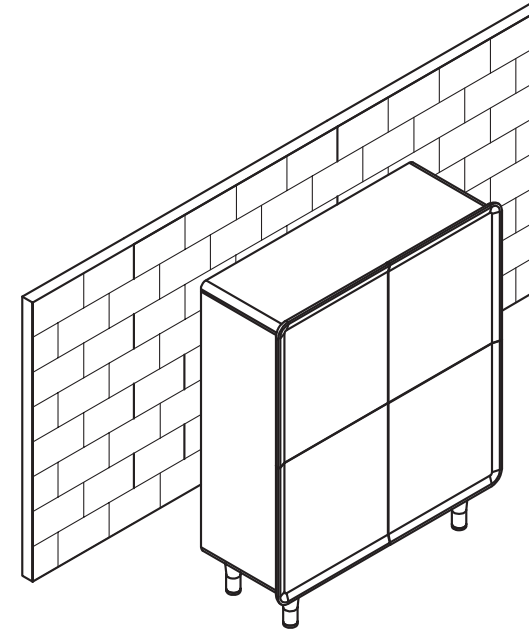
70053 Cabinet Divine 110x137cm

KARE
DESIGN

7



8



Anti-Tip Kit

It is essential to use wall anchors appropriate for your wall type (i.e.plaster,drywall,concrete,etc.),along with appropriate screws, for proper mounting.

Consult a qualified professional or your local hardware store for appropriate mounting hardware suited for your specific wall medium.