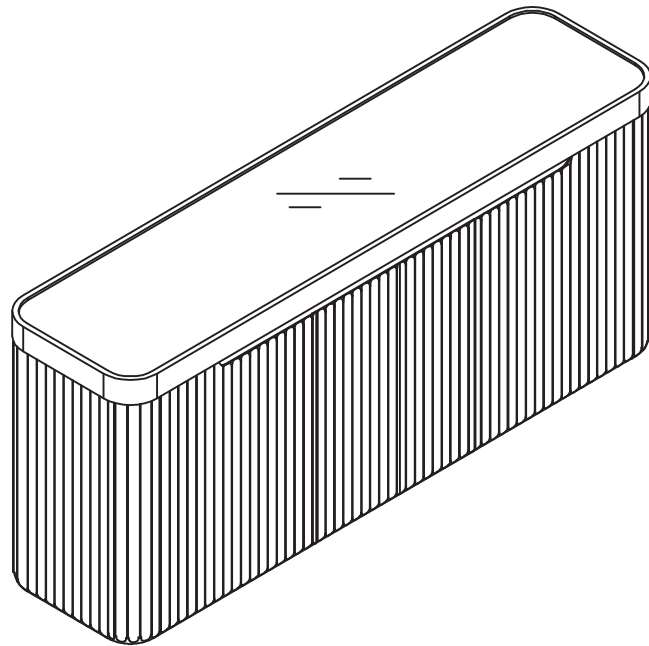
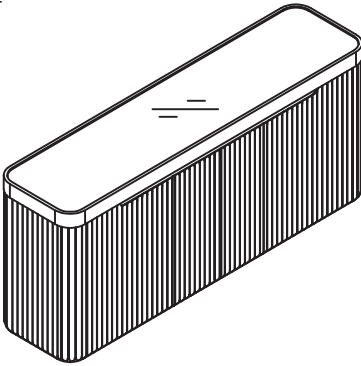
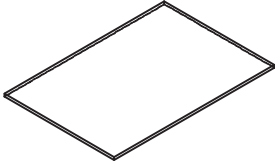
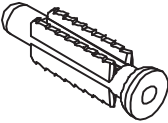
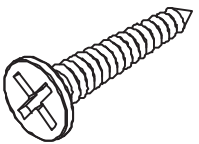
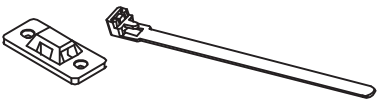

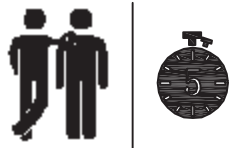


# 70048 Sideboard Phoenix 180x80cm

**KARE**  
DESIGN

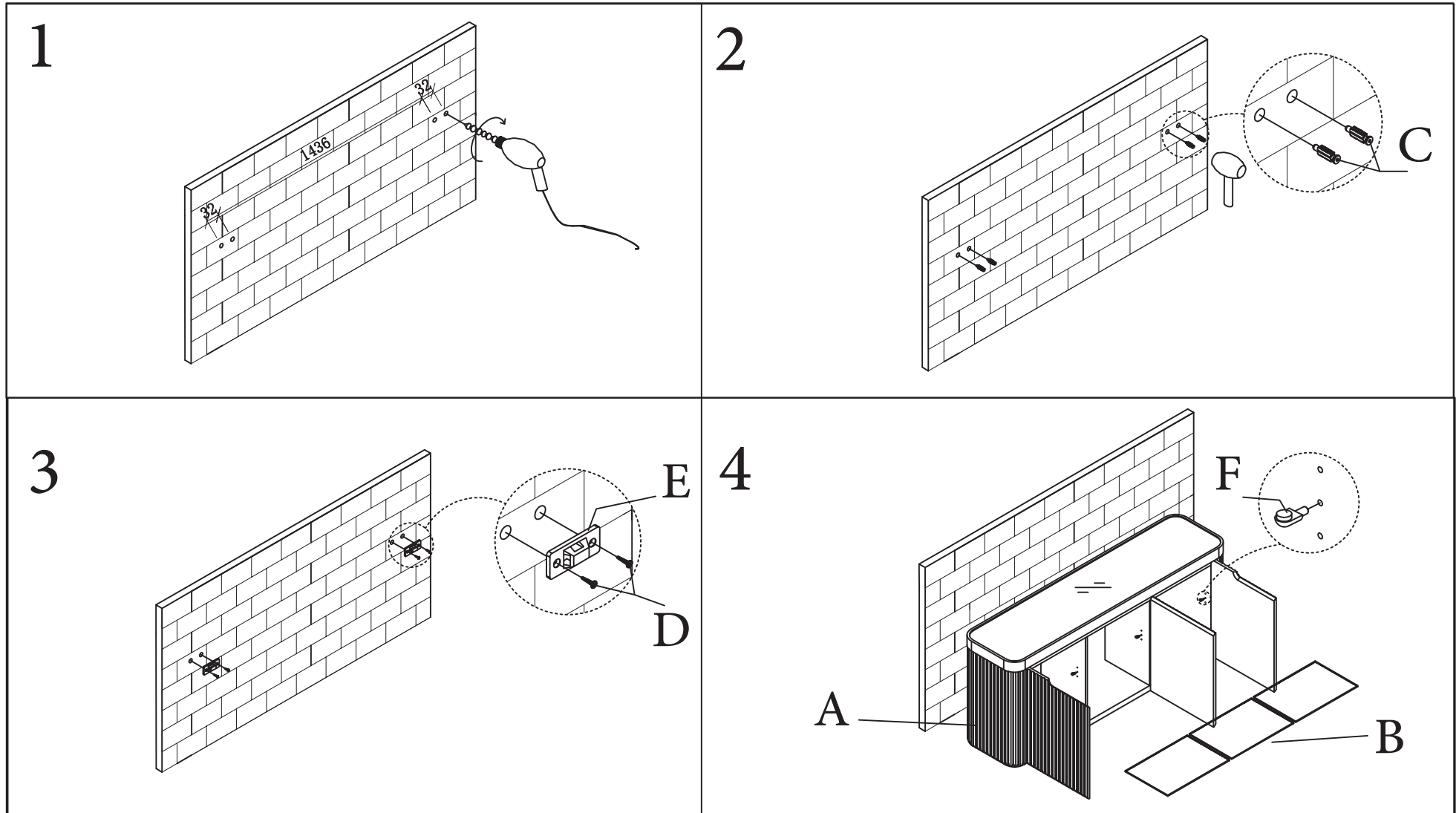


<p>A</p> 	<p>B</p>  <p>3pcs</p>
<p>C</p> <p>NOT INCLUDED</p>  <p>4pcs</p>	<p>D</p> <p>NOT INCLUDED</p>  <p>3.5x30</p> <p>4pcs</p>
<p>E</p>  <p>2pcs</p>	<p>F</p>  <p>φ 5</p> <p>12pcs</p>



# 70048 Sideboard Phoenix 180x80cm

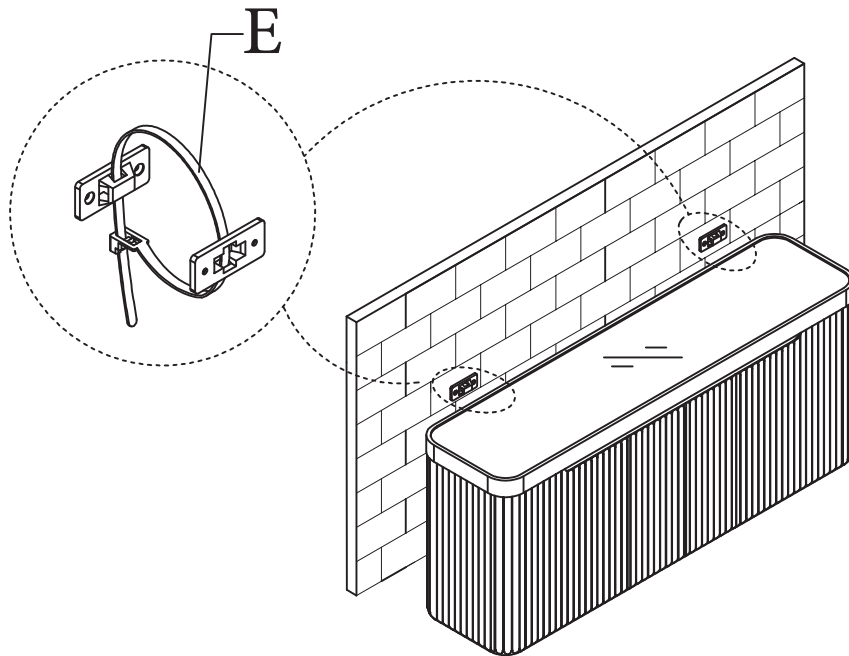
**KARE**  
DESIGN



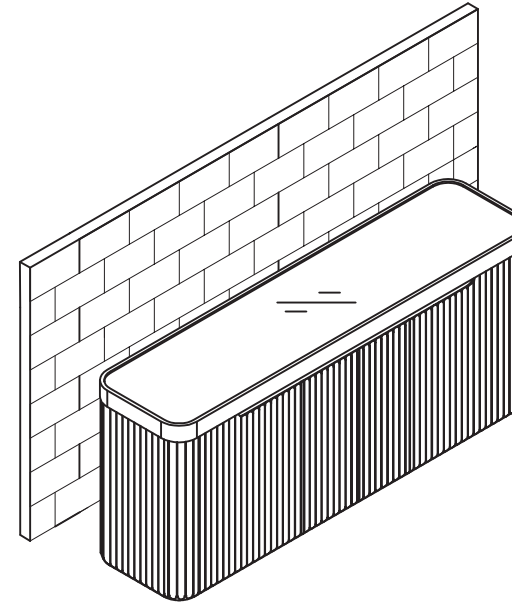
# 70048 Sideboard Phoenix 180x80cm

**KARE**  
DESIGN

5



6



### Anti-Tip Kit

It is essential to use wall anchors appropriate for your wall type (i.e.plaster,drywall,concrete,etc.),along with appropriate screws, for proper mounting.

Consult a qualified professional or your local hardware store for appropriate mounting hardware suited for your specific wall medium.