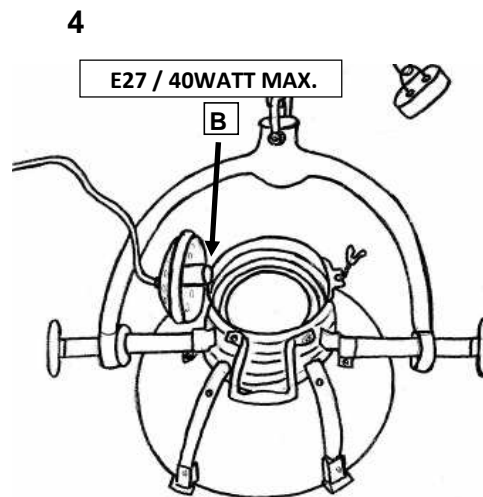
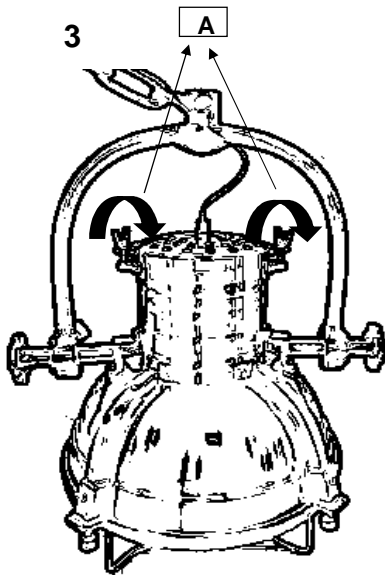
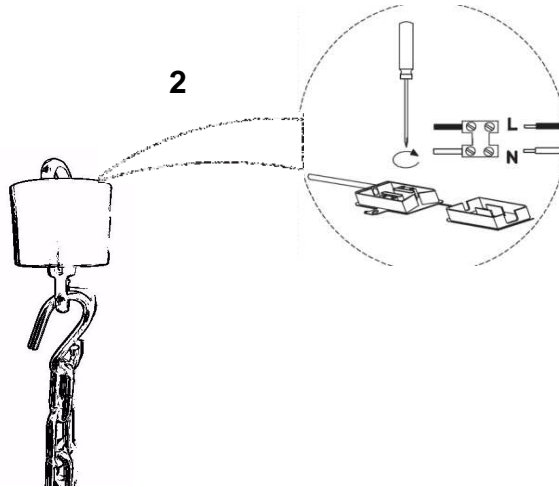
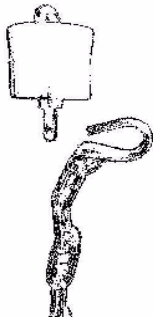
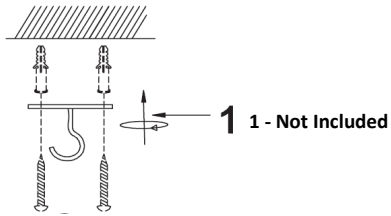
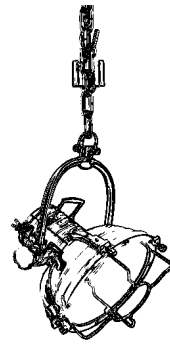
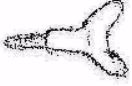



**REF # 61075**  
**PENDANT LAMP CONTRAST SPOT**

**KARE**  
 DESIGN



NO.	A	B
PARTS		
QTY	2 PCS	1 PC